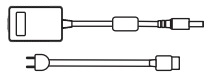
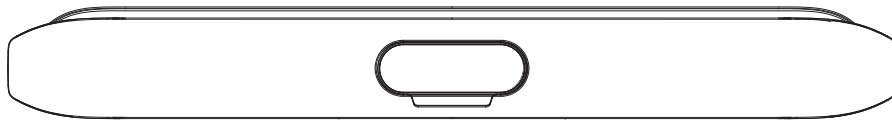


Poly Studio X50

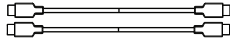
See the Poly Studio X30 and Poly Studio X50 Regulatory Notices for all regulatory and safety guidance prior to configuration.

Avant de procéder à la configuration, veuillez consulter les Avis de réglementation du Poly Studio X30 and Poly Studio X50, afin de prendre connaissance des recommandations en matière de sécurité et de réglementation.

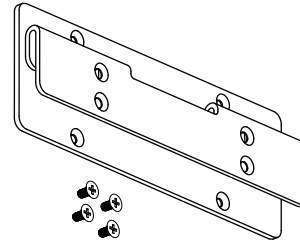
CONTENTS



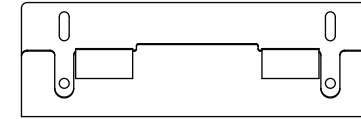
(2) HDMI
1.83 m (6 ft)



LAN (STP)
4.57 m (15 ft)



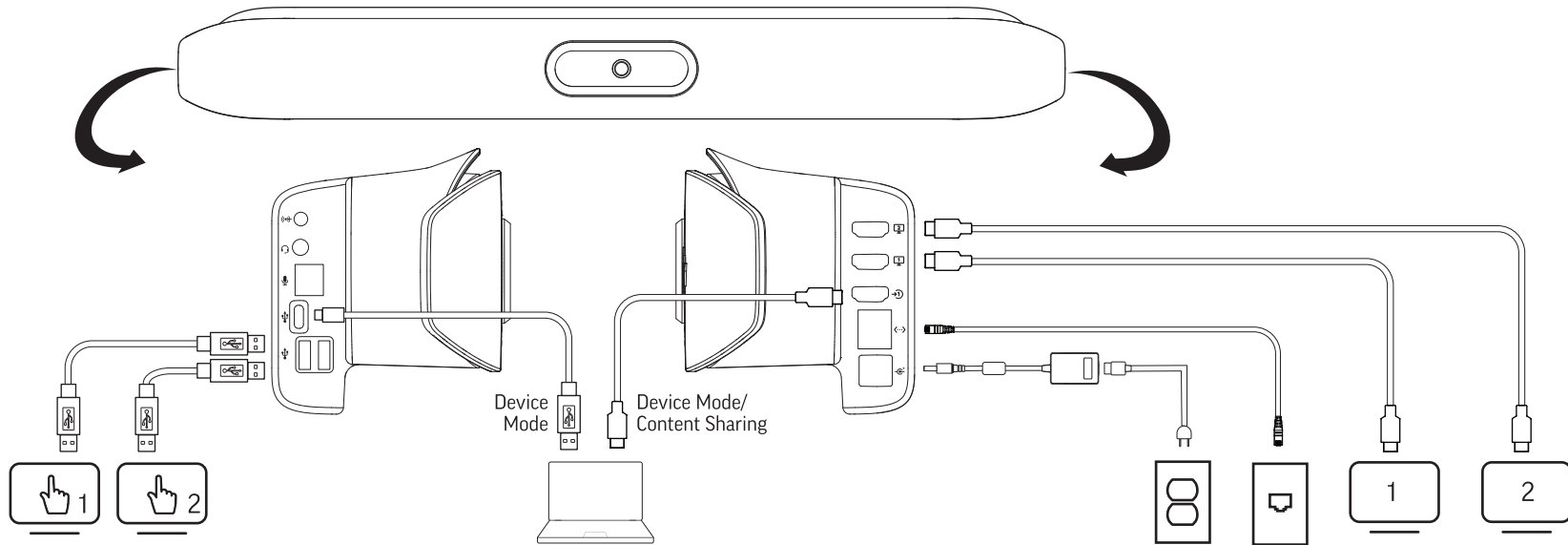
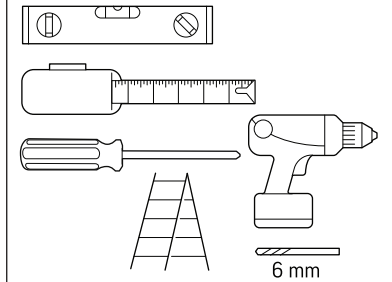
(4) M4 x 8 Screw



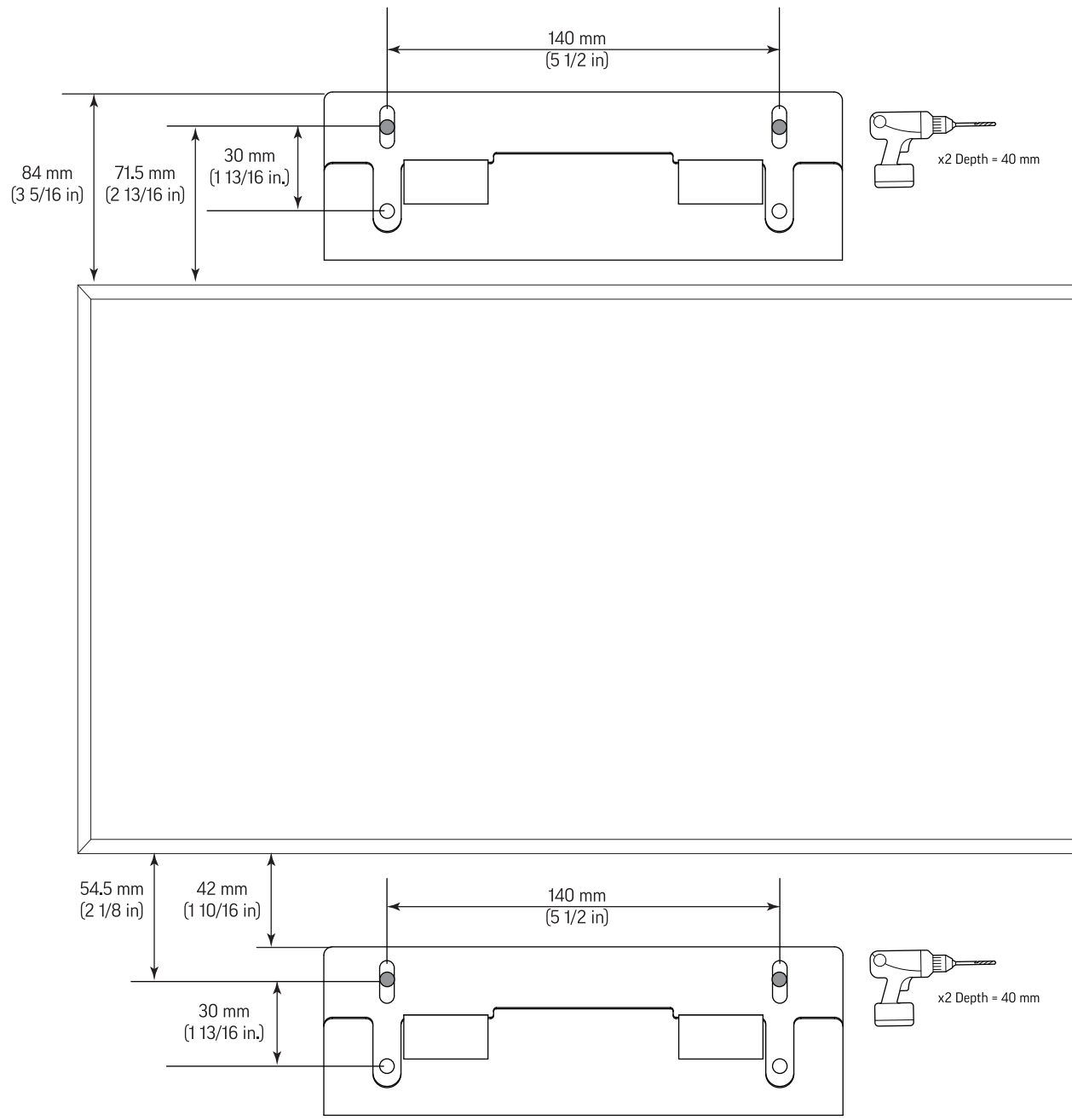
(4) #8 x 7/8" Plastic Anchor

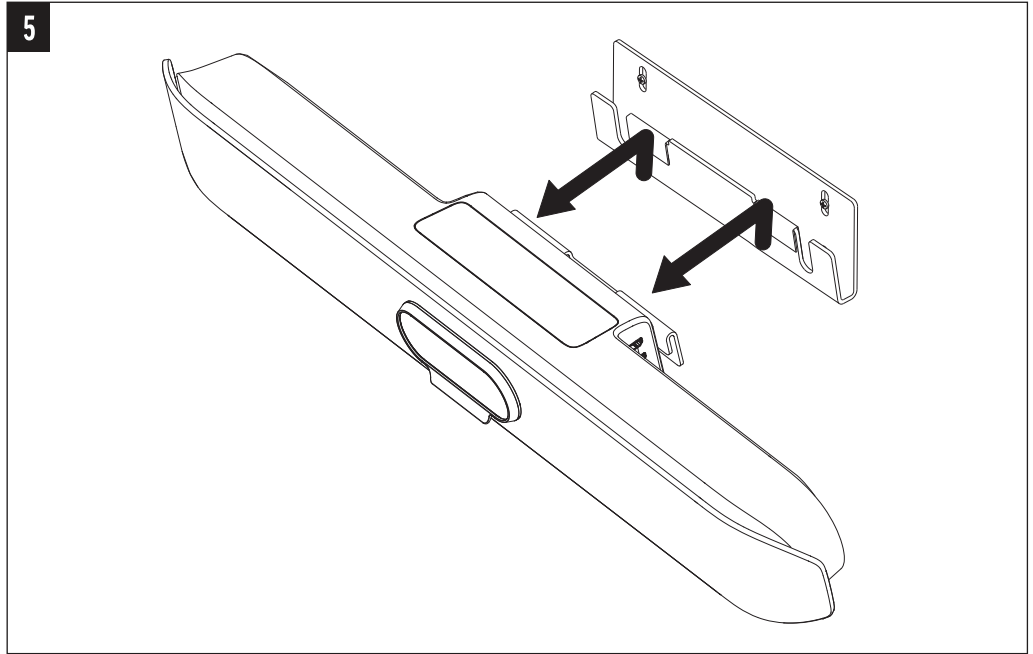
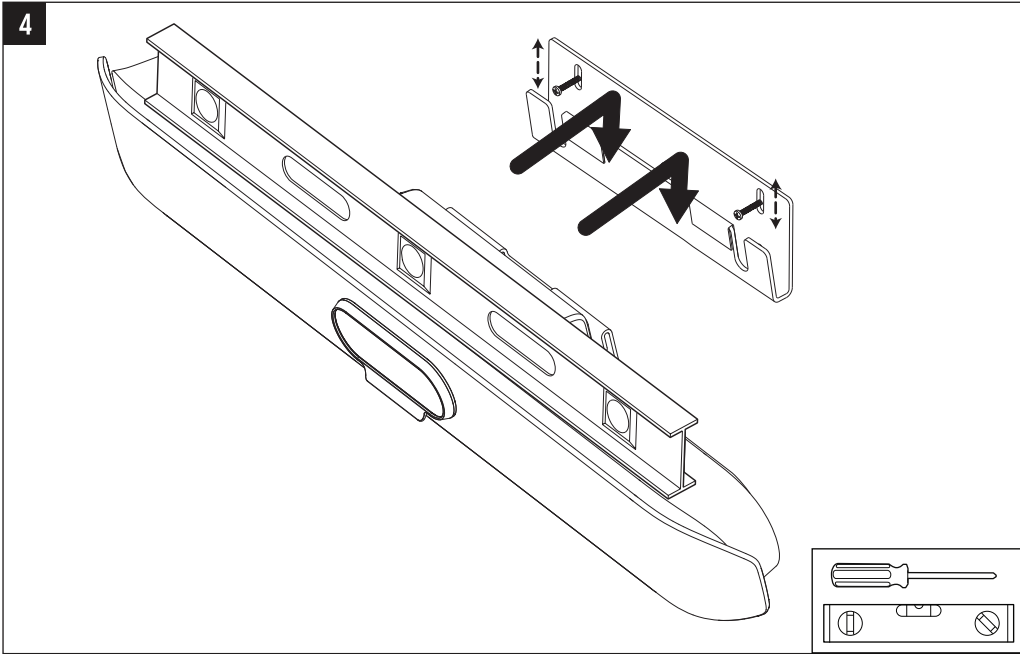
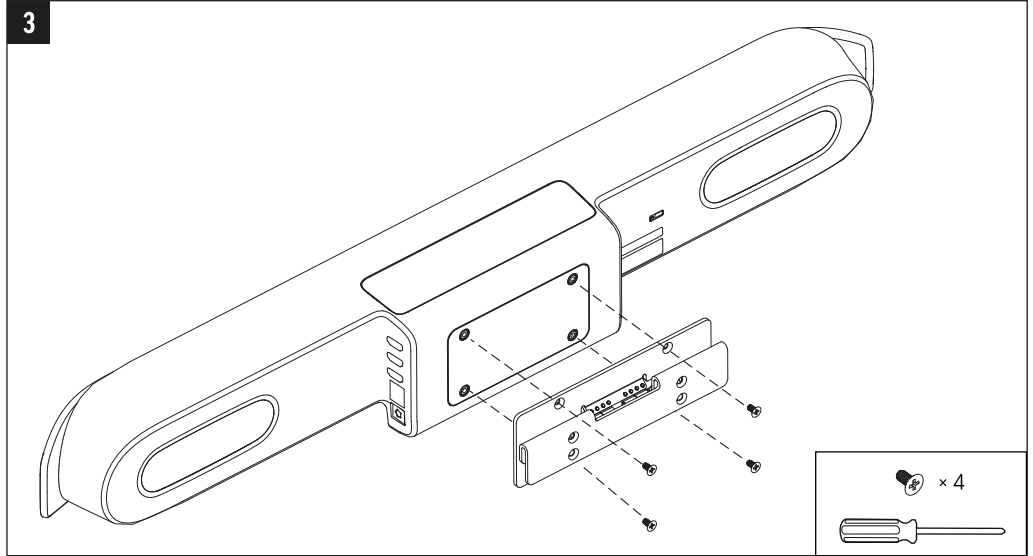
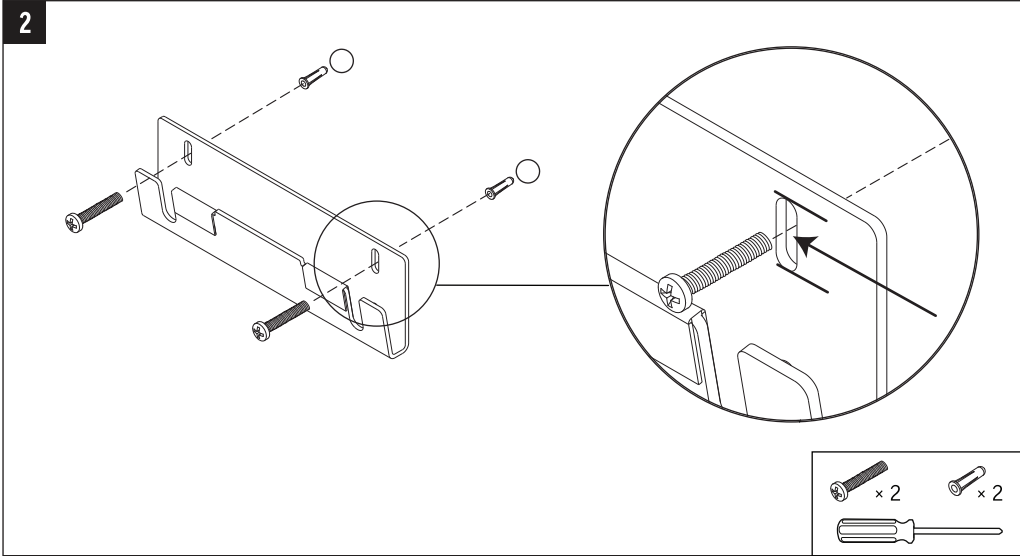
(4) #8 x 1" Screw

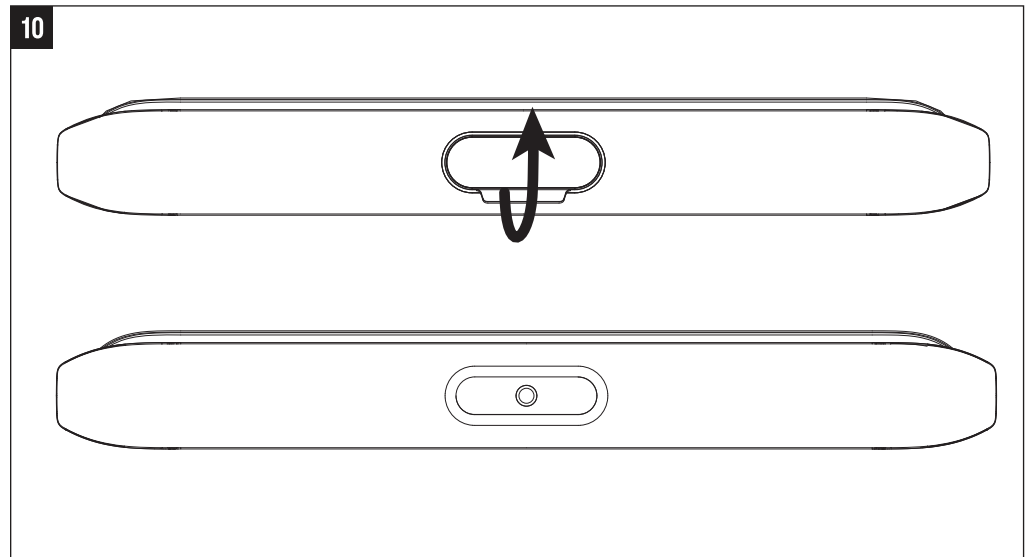
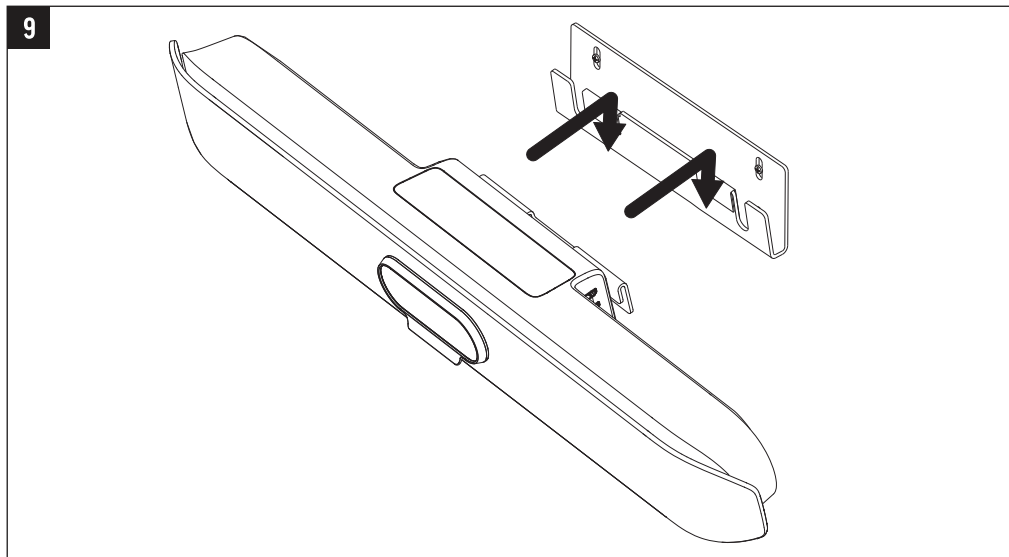
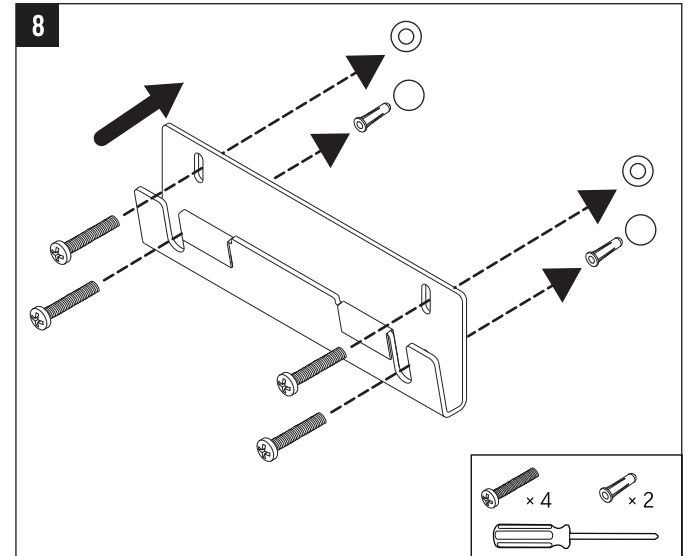
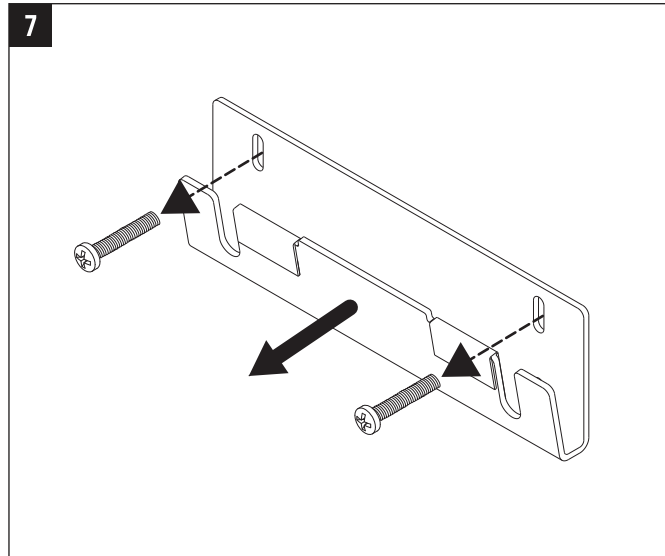
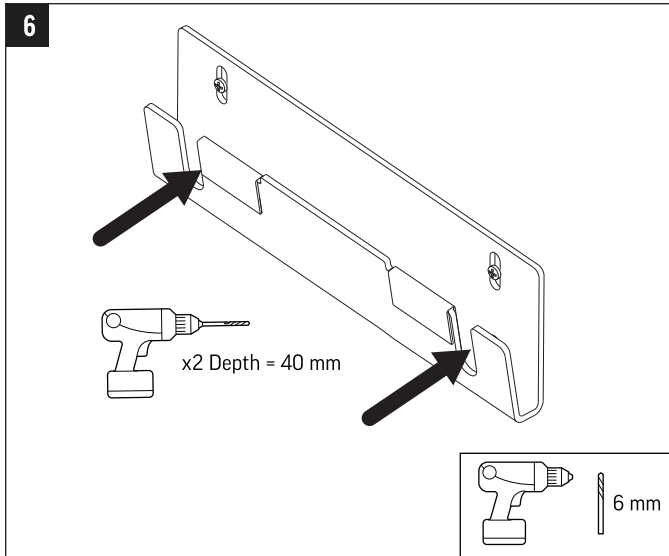
TOOLS



1

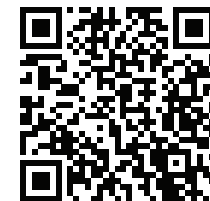






Hereby, Plantronics B.V. declares that the radio equipment type Model P018 and P017 is in compliance with Directive 2014/53/EU. The full text of the EU declaration of conformity is available at <https://www.poly.com/gb/en/legal/compliance/conformity>.

Frequency Range	Maximum Transmit Power	
	P017	P018
2422 - 2480MHz	Max EIRP [19.1] dBm	Max EIRP [18.88] dBm
5150 - 5350MHz	Max EIRP [19.93] dBm	Max EIRP [20.06] dBm
5470 - 5725MHz	Max EIRP [19.33] dBm	Max EIRP [19.7] dBm



support.polycom.com/video