

© 2007 GN A/S. All rights reserved. Jabra® is a registered trademark of GN A/S. All other trademarks included herein are the property of their respective owners. The Bluetooth® word mark and logos are owned by the Bluetooth SIG, Inc. and any use of such marks by GN A/S is under license. (Design and specifications subject to change without notice).



Jabra
BT 5020

www.jabra.com

Made in China



1 Year
Warranty



Jabra

Bluetooth® headset

User manual

Jabra

www.jabra.com

Fig. 1

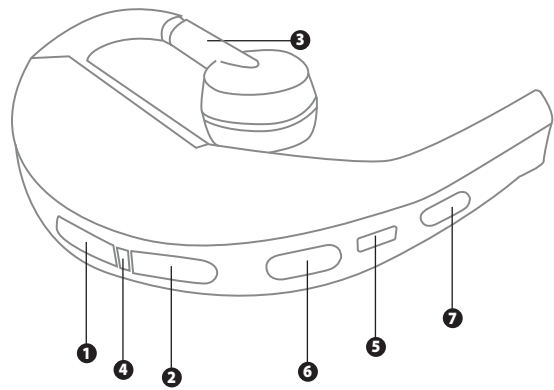


Fig. 2

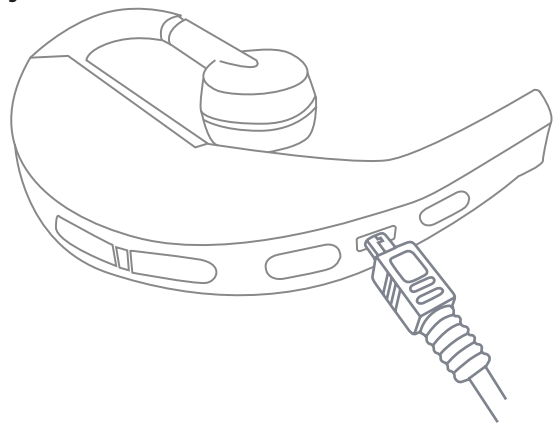


Fig. 3

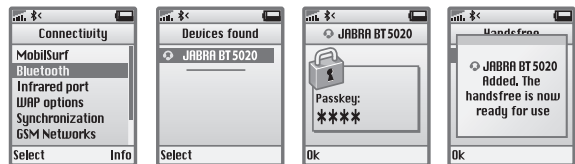
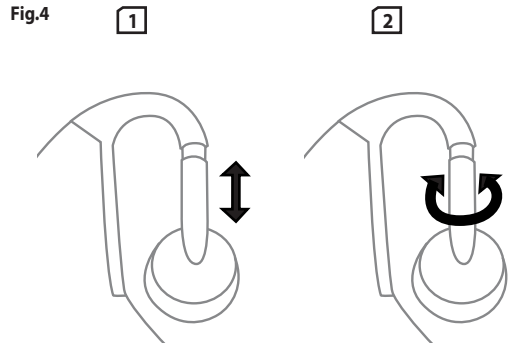


Fig. 4



Jabra

BT 5020

English 

Español 

Português 

Français 

English

- 1. Thank you 4
- 2. About your Jabra BT5020..... 5
- 3. What your new headset can do 5
- 4. Getting started..... 6
- 5. Wear it how you like it..... 7
- 6. How to... 8
- 7. Battery Indicator 8
- 8. What the lights mean 9
- 9. Using the Jabra BT 5020 with 2 mobile phones..... 9
- 10. Using a Jabra Bluetooth Hub 10
- 11. Using a Jabra Bluetooth adapter..... 10
- 12. Troubleshooting & FAQ 11
- 13. Need more help?..... 11
- 14. Taking care of your headset 11
- 15. Certification and safety approvals..... 12
- 16. Service and Warranty Information 13

1. Thank you

Thank you for purchasing the Jabra BT5020 Bluetooth Headset. We hope you enjoy it! This instruction manual will get you started and ready to make the most of your headset.

WARNING!

Headsets are capable of delivering sounds at loud volumes and high pitched tones.

Exposure to such sounds can result in permanent hearing loss damage. The volume level may vary based on conditions such as the phone you are using, its reception and volume settings, and the environment. Please read the safety guidelines below prior to using this headset.

Safety guidelines

1. Before using this product follow these steps:

- before putting on the headset, turn the volume control to its lowest level,
- put the headset on, and then
- slowly adjust the volume control to a comfortable level.

2. During the use of this product

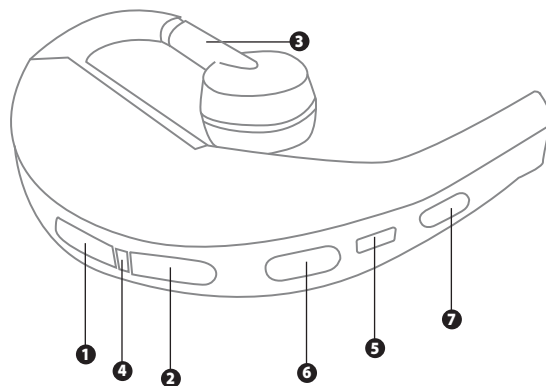
- Keep the volume at the lowest level possible and avoid using the headset in noisy environments where you may be inclined to turn up the volume;
- If increased volume is necessary, adjust the volume control slowly; and
- If you experience discomfort or ringing in your ears, immediately discontinue using the headset and consult a physician.

With continued use at high volume, your ears may become accustomed to the sound level, which may result in permanent damage to your hearing without any noticeable discomfort.

Using the headset while operating a motor vehicle, motorcycle, watercraft or bicycle may be dangerous, and is illegal in some jurisdictions. Check your local laws. Use caution while using your headset when you are engaging in any activity that requires your full attention. While engaging in any such activity, removing the headset from your ear area or turning off your headset will keep you from being distracted, so as to avoid accident or injury.

2. About your Jabra BT5020

- 1 Volume up
- 2 Volume down
- 3 Adjustable earhook
- 4 Light indicator (LED)
- 5 Charging socket
- 6 On/Off/Pairing
- 7 Answer/end button



3. What your new headset can do

Your Jabra BT5020 lets you do all this:

- Answer calls
- End calls
- Reject calls
- Voice Dialling (phone dependent)
- Last number redialling
- Call waiting
- Put call on hold
- Mute
- Enable/Disable vibrator

US Specifications:

- Talk time up to 10 hours/standby time up to 300 hours
- Rechargeable battery with charging option from AC power supply, PC via USB cable or car charger (not included)
- Weight 16 grams
- Battery indicator
- Operating range up to 33 feet (approx. 10 meters)
- Headset and hands-free Bluetooth profiles
- Bluetooth specification (see glossary) version 2.0

4. Getting started

The Jabra BT5020 is easy to operate. The answer/end button on the headset performs the different functions depending on how long you press it.

Instruction:	Duration of press
Tap	Press briefly
Double Tap	2 quickly repeated Taps
Press	Approx: 1 second
Press and hold	Approx: More than 3 seconds

1) Charge your headset

Make sure that your Jabra BT5020 headset is fully charged before you start using it. Use the AC adapter to charge from a power socket, or charge directly from your PC with the USB cable provided. Connect your headset as shown in fig. x. When the LED is solid red, your headset is charging. When the LED is green, it is fully charged.

Please note: The lifetime of the battery will be significantly reduced if your device is left uncharged for a long period. We therefore recommend that you recharge your device at least once a month.

2) Turning your headset on and off

- **Press** the on/off/pairing button to turn on your headset. The LED will show a green flash when the headset is on.
- **Press and hold** the on/off/pairing button to turn off your headset. The LED will turn red when headset is off.

3) Pair it with your phone

Before you use your Jabra BT5020, you need to pair it with your mobile phone. The first time you turn on the Jabra BT 5020 it will automatically go into pairing mode. If you would like to pair again at another time, follow the instructions below.

A. Put the headset in pairing mode

- Make sure the headset is off .
- **Press and hold** the answer/end button until a solid blue light comes on.

B. Set your Bluetooth phone to 'discover' the Jabra BT5020

Follow your phone's instruction guide. This usually involves going to a 'setup', 'connect' or 'Bluetooth' menu **on your phone** and selecting the option to 'discover' or 'add' a Bluetooth device.* (See example from a typical mobile phone in fig. 3)



C. Your phone will find the Jabra BT5020

Your phone then asks if you want to pair with it. Accept by pressing 'Yes' or 'OK' on the phone and confirm with the passkey or PIN = 0000 (4 zeros). Your phone will confirm when pairing is complete. In case of unsuccessful pairing, repeat steps 1 to 3.

5. Wear it how you like it

The Jabra BT5020 is ready to wear on your right ear. If you prefer the left, gently rotate the ear piece to fit left ear. See fig. 4.

For optimal performance, wear the Jabra BT 5020 and your mobile phone on the same side of your body or within line of sight. In general, you will get better performance when there are no obstructions between your headset and your mobile phone.

6. How to...

Answer a call

- Tap the answer/end button on your headset to answer a call.

End a call

- Tap the answer/end button to end an active call.

Make a call

- When you make a call from your mobile phone, the call will (subject to phone settings) automatically transfer to your headset. If your phone does not allow this feature, tap on the Jabra BT5020's answer/end button to transfer the call to the headset.

Reject a call*

- Press the answer/end button when the phone rings to reject an incoming call. Depending on your phone settings, the person who called you will either be forwarded to your voice mail or hear a busy signal.

Activate voice dialling*

- Press the answer/end button. For best results, record the voice-dialling tag through your headset. Please consult your phone's user manual for more information about using this feature.

Redial last number*

- Double Tap the answer/end button when the headset is on and not used.

Adjust sound and volume

- Press the volume up or down to adjust the volume.

Mute an ongoing call

- To mute an ongoing call, press both volume up and down at the same time low beep alert plays during a muted call.
- To un-mute tap either of the volume buttons

Call waiting and placing a call on hold*

This lets you put a call on hold during a conversation and answer a waiting call.

- **Press** the answer/end button once to put the active call on hold and answer the waiting call.
- **Press** the answer/end button to switch between the two calls.
- **Tap** the answer/end button to end the active conversation.

* Functions marked with * are dependent on your phone supporting these features. Check your phone's user manual for further information.

7. Battery Indicator

When the Jabra BT5020 is turned on or a button is pressed more than 1 minute after last button press, the LED indicator the battery level of the headset.

2 Green flashes	= 20% - 100% Charged
2 Yellow flashes	= 10% - 20% charged
2 Red flashes	= Less than 10% charged

8. What the lights mean

What you see	What is the mean about you
2 coloured flashes	See Battery indicator (section 7)
Flashing blue and green light	Incoming call
Flashing blue light	Flashing every second: active call
Flashing blue light	Flashing every three seconds: in standby mode (only for 1 minute then off)
Flashing red light	Running low on battery
Solid green light	Fully charged
Solid red light	Charging
Solid blue light	In pairing mode – see section 4

9. Using the Jabra BT 5020 with 2 mobile phones

Jabra BT5020 is capable of having two mobile phones connected to the headset at the same time. This will give you the freedom of having only headset to operate both your mobile phones and the operation of the functions in the headset functions as described in section 6.

Only it must observed that Last Number Redial will dial the number from the last outgoing call, independent of the mobile phones, and the Voice Dialling function only will work on the last paired mobile phone.

US 10. Using a Jabra Bluetooth Hub

ES The Jabra BT5020 can be used along with the Jabra Bluetooth Hub (sold separately). This will enable you to use the headset with both your mobile phone and your office phone.

PT To pair the Jabra BT5020 with the Jabra Bluetooth Hub

FR The pairing process is a little different:

- Put your Jabra BT5020 in pairing mode
- Put the Jabra Bluetooth Hub in pairing mode.
- Place them close together. You do not need a dedicated pin code to pair the two Jabra products. Consult the Jabra Bluetooth Hub user manual for more information on how to connect the Bluetooth hub to your office phone.

The use of the Jabra BT5020 with the Jabra Bluetooth Hub is very similar to using the headset with a mobile phone only. The only difference lies in the transfer of a call to the headset from the office phone.

Transfer the call to the headset

- Tap the answer/end button to transfer the call from the office phone to the headset via the Jabra Bluetooth Hub

The answering of a call from the office phone requires a hook lifter in order to have the Jabra BT5020 answer the call automatically.

11. Using a Jabra Bluetooth adapter

If you want to use the Jabra BT5020 with a non-Bluetooth mobile phone, the Jabra A210 adapter is the answer.

It gives you a cordless connection with the following headset feature: answer/end call, voice dial function (if supported by the phone) and mute. Rejecting a call, last number redial and putting a call on hold might not be supported through the headset jack in the mobile phone.

To pair the Jabra BT5020 with the Jabra A210

The pairing process is a little different:

- Put your Jabra BT5020 in pairing mode
- Put the Jabra A210 adapter in pairing mode
- Place them close together. You do not need a dedicated pin code to pair the two Jabra products. Consult the Jabra A210 adapter user manual for more information.

US Making/answering a call when using the Jabra A210

- When you make a call from your mobile phone, the call will automatically transfer to headset (if it is turned on)
- To answer a call: either tap the answer/end button on your headset, open the boom arm or press the answer button on your mobile phone

12. Troubleshooting & FAQ

I hear crackling noises

- For the best audio quality, always wear your headset on the same side of the body as the mobile phone

I cannot hear anything in my headset

- Increase the volume in the headset
- Ensure that the headset is paired with the phone
- Make sure that the phone is connected to the headset – if it does not connect either from the phone's Bluetooth menu or by tapping the answer/end button, follow the pairing procedure (see section 4)

I have pairing problems even though my phone indicates otherwise

- You may have deleted your headset pairing connection in your mobile phone. Follow the pairing instructions in section 4.

Will the Jabra BT5020 work with other Bluetooth equipment?

- The Jabra BT5020 is designed to work with Bluetooth mobile phones. It can also work with other Bluetooth devices that are compliant with Bluetooth version 1.1, 1.2 or 2.0 and support a headset and/or hands-free profile.

13. Need more help?

1. Web: www.jabra.com
(for the latest support info and online User Manuals)
2. E-mail: Tech Support: techsupp@jabra.com
Information: info@jabra.com
3. Phone: 1 (800) 327-2230 (toll-free in USA) (603) 579-5311 (Canada)

14. Taking care of your headset

- Always store the Jabra BT5020 with the power off and safely protected.
- Avoid storage at extreme temperatures (above 45°C/113°F – including direct sunlight – or below -10°C/14°F). This can shorten battery life and may affect operation. High temperatures may also degrade performance.
- Do not expose the Jabra BT5020 to rain or other liquids.

15. Certification and safety approvals

FCC

This device complies with part 15 of the FCC Rules. Operation is subject to the following two conditions: (1) This device may not cause harmful interference, and (2) this device must accept any interference received, including interference that may cause undesired operation.

Users are not permitted to make changes or modify the device in any way. Changes or modifications not expressly approved by Jabra (GN Netcom) will void the user's authority to operate the equipment.

This equipment has been tested and found to comply with the limits for a Class B digital device, pursuant to part 15 of the FCC Rules. These limits are designed to provide reasonable protection against harmful interference in a residential installation. This equipment generates, uses and can radiate radio frequency energy and, if not installed and used in accordance with the instructions, may cause harmful interference to radio communications. However, there is no guarantee that interference will not occur in a particular installation. If this equipment does cause harmful interference to radio or television reception, which can be determined by turning the equipment off and on, the user is encouraged to try to correct the interference by one or more of the following measures:

- Reorient or relocate the receiving antenna.
- Increase the separation between the equipment and receiver.
- Connect the equipment into an outlet on a circuit different from that to which the receiver is connected.
- Consult the dealer or an experienced radio/TV technician for help.

The device and its antenna must not be co-loaded or operating in conjunction with any other antenna or transmitter.

Industry Canada

Operation is subject to the following two conditions: (1) This device may not cause interference and (2) This device must accept any interference, including interference that may cause undesired operation of the device.

The term "IC:" before the certification/registration number only signifies that registration was performed based on a Declaration of Conformity indicating that Industry Canada technical specifications were met. It does not imply that Industry Canada approved the equipment.

Bluetooth

The Bluetooth® word mark and logos are owned by the Bluetooth SIG, Inc. and any use of such marks by Jabra is under license. Other trademarks and trade names are those of their respective owners.

16. Warranty

Service and Warranty Information

Limited One (1) -Year Warranty

GN Netcom Inc. ("GN"), warrants this product to be free from defects in materials and workmanship (subject to the terms set forth below) for a period of one (1) year from the date of purchase ("Warranty Period"). During the Warranty Period, GN will repair or replace (at GN's discretion) this product or any defective parts ("Warranty Service"). If repair or replacement is not commercially practicable or cannot be timely made, GN may choose to refund to you the purchase price paid for the affected product. Repair or replacement under the terms of this warranty does not give right to any extension or a new beginning of the period of warranty.

Claims under the Warranty

To obtain Warranty Service, please contact the GN dealer from which you purchased this product or visit www.gnnetcom.com or www.jabra.com for further information about customer support.

You will need to return this Product to the dealer or ship it to the dealer or to GN (if so indicated on www.gnnetcom.com or www.jabra.com) in either its original packaging or packaging affording an equal degree of protection.

You will bear the cost of shipping the product to GN. If the Product is covered by the warranty, GN will bear the cost of shipping product back to you after the completion of service under this warranty. Return shipping will be charged to you for products not covered by the warranty or requiring no warranty repair.

The Following information must be presented to obtain Warranty Service: (a) the product, and (b) proof of purchase, which clearly indicates the name and address of the seller, the date of purchase and the product type, which is evidence that this product is within the Warranty Period. Please further include (c) your return address. (d) daytime telephone number, and (e) reason for return. As part of GN/Jabra's efforts to reduce environmental waste you understand that the product may consist of reconditioned equipment that contains used components, some of which have been reworked. The used components all live up to GN/Jabra's high quality standards and comply with the GN product performance and reliability specifications. You understand that replaced parts or components will become the property of GN.

US Limitation of Warranty

This warranty is only valid for the original purchaser and will automatically terminate prior to expiration if this product is sold or otherwise transferred to another party. The warranty provided by GN in this statement applies only to products purchased for use, and not for resale. It does not apply to open box purchases, which are sold "as is" and without any warranty.

Specifically exempt from warranty are limited-life consumable components subject to normal wear and tear, such as microphone windscreens, ear cushions, modular plugs, ear tips, decorative finishes, batteries, and other accessories.

This warranty is invalid if the factory-applied serial number, date code label, or product label has been altered or removed from this product.

This Warranty does not cover cosmetic damage or damage due to misuse, abuse, negligence, Acts of Nature, accident, disassembling or modification of, or to any part of, the product. This Warranty does not cover damage due to improper operation, maintenance or installation, or attempted repair by anyone other than GN or a GN dealer which is authorized to do GN warranty work.

Any unauthorized repairs will void this warranty.

REPAIRS OR REPLACEMENTS AS PROVIDED UNDER THIS WARRANTY ARE THE EXCLUSIVE REMEDY OF THE CONSUMER. GN SHALL NOT BE LIABLE FOR ANY INCIDENTAL OR CONSEQUENTIAL DAMAGES FOR BREACH OF ANY EXPRESS OR IMPLIED WARRANTY ON THIS PRODUCT. EXCEPT TO THE EXTENT PROHIBITED BY LAW, THIS WARRANTY IS EXCLUSIVE AND IN LIEU OF ALL OTHER EXPRESS AND IMPLIED WARRANTIES WHATSOEVER, INCLUDING BUT NOT LIMITED TO THE WARRANTY OF MERCHANTABILITY AND FITNESS FOR A PRACTICAL PURPOSE.

NOTE! This warranty gives you specific legal rights. You may have other rights which vary from location to location. Some jurisdictions do not allow the exclusion or limitation of incidental or consequential damages or implied warranties, so the above exclusions may not apply to you. This warranty does not affect your legal (statutory) rights under your applicable national or local laws.



Dispose of the product according to local standards and regulations.
www.jabra.com/weee

Jabra BT 5020 Bluetooth headset

Español

1. Gracias.....	18
2. Acerca de su Jabra BT5020.....	19
3. Funciones del auricular.....	19
4. Para comenzar.....	20
5. Llévelo como prefiera.....	21
6. Cómo... Contestar llamadas.....	21
7. Indicador de nivel de batería.....	23
8. ¿Qué significan las ¿Qué se ve?.....	23
9. Utilización del Jabra BT5020 con dos teléfonos móviles.....	23
10. Utilización de un Hub Bluetooth Jabra.....	24
11. Utilización de un adaptador Bluetooth Jabra.....	24
12. Solución de problemas y preguntas más frecuentes.....	25
13. Más ayuda.....	26
14. Cuidados del auricular.....	26
15. Certificación y homologaciones de seguridad.....	26
16. Garantía.....	27

US

1. Gracias

Gracias por adquirir el auricular Bluetooth Jabra BT5020. Esperamos que lo disfrute. Este manual de instrucciones le guiará y preparará para sacarle el mayor partido a su auricular.

ES

PT

FR

AVISO

Los auriculares pueden reproducir sonidos de alto nivel y tonos de alta intensidad.

La exposición a este tipo de sonidos puede causar pérdidas auditivas irreversibles. El nivel del volumen puede variar dependiendo de ciertas condiciones, como el teléfono que esté usando, el entorno y la configuración de la recepción y del volumen. Lea las instrucciones de seguridad antes de usar el auricular.

Instrucciones de seguridad

1. Antes de usar este producto, siga los siguientes pasos:

- baje el volumen al mínimo antes de colocarse el auricular,
- póngase el auricular y luego ajuste el volumen lentamente hasta un nivel adecuado.
- Cuando esté usando este producto

Mantenga el volumen lo más bajo posible y evite el uso del auricular en entornos ruidosos en los que se vea obligado a subir el volumen; Si fuera necesario subir el volumen, ajuste el control del volumen lentamente; y Si nota alguna molestia o pitidos en los oídos, deje de usar el auricular inmediatamente y consulte a su médico.

El uso continuado del dispositivo a niveles altos puede provocar que sus oídos se acostumbren al nivel de sonido, lo que puede causar daños auditivos irreversibles sin que sienta molestias.

El uso de un auricular mientras conduce un vehículo de motor, una motocicleta, una moto de agua o una bicicleta puede ser peligroso, además de ser ilegal en algunos países. Infórmese sobre la legislación local vigente. Tenga cuidado al usar el auricular cuando realice actividades que exijan gran atención. Mientras realice estas actividades, retire el auricular de la oreja o desconéctelo para evitar distracciones y los consiguientes accidentes o daños.

2. Acerca de su Jabra BT5020

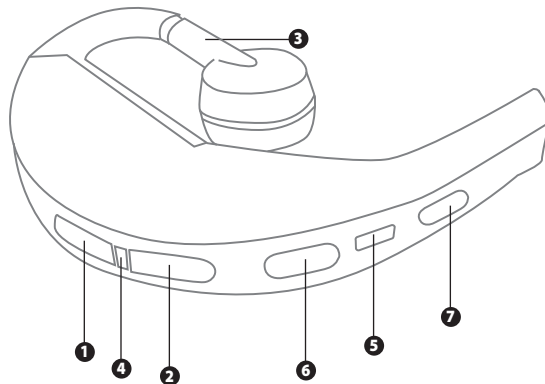
US

ES

PT

FR

- 1 Subir volumen
- 2 Bajar volumen
- 3 Auricular ajustable
- 4 Indicador de luz
- 5 Toma del cargador
- 6 Par Encendido/Apagado
- 7 Botón Responder/Finalizar



3. Funciones del auricular

El Jabra BT00 le permite:

- Contestar llamadas
- Finalizar llamadas
- Rechazar llamadas
- Marcar por voz (depende del teléfono)
- Volver a llamar al último número
- Llamada en espera
- Poner una llamada en espera
- Silenciar una llamada
- Activar/Desactivar el modo de vibración

Características técnicas:

- Autonomía: hasta 10 horas en conversación/hasta 300 horas en espera
- Batería recargable con opción de carga a través de enchufe AC, desde un PC mediante cable USB, ó cargador para coche (no incluido)

Peso: 16 gramos

Indicador de nivel de batería

Alcance: hasta 10 metros

Perfiles Bluetooth para auricular y manos libres

Especificación Bluetooth (véase el glosario) versión 2.0

4. Para comenzar

El Jabra BT5020 es fácil de utilizar. El botón de respuesta/finalización de llamada del auricular permite realizar varias acciones en función del tiempo que se mantenga presionado.

Instrucciones	Tiempo presionado:
Presionar	Presionar brevemente
Presionar dos veces	Presionar dos veces rápidamente
Presionar	Aprox. 1 segundo
Mantener presionado	Aprox. 2-3 segundos

1) Carga del auricular

Compruebe que el auricular Jabra BT5020 está completamente cargado antes de comenzar a utilizarlo. Utilice el adaptador AC para cargarlo en un enchufe o cárguelo directamente desde un PC con el cable USB que viene con el auricular. Conecte el auricular tal como se indica en la fig. x. Cuando el LED aparece iluminado en rojo, indica que se está cargando el auricular. Cuando el LED aparece en verde, indica que está completamente cargado.

Nota: La vida útil de la batería se reducirá significativamente si deja su dispositivo sin cargar durante un largo período de tiempo. Le recomendamos que recargue su dispositivo al menos una vez al mes.

Encendido y apagado del auricular

- Presione el botón on/off/emparejamiento para encender el auricular. El LED se iluminará brevemente en verde cuando se encienda el auricular.
- Mantenga presionado el botón on/off/emparejamiento para apagar el auricular. El LED se iluminará en rojo cuando se apague el auricular.

Emparejamiento con el teléfono

Antes de utilizar el Jabra BT00 es necesario emparejarlo con el teléfono móvil. Cuando encienda por primera vez el Jabra BT00, el auricular se pondrá automáticamente en modo de emparejamiento. Si en cualquier momento necesita volver a emparejar la conexión, realice los siguientes pasos:

A. Ponga el auricular en modo de emparejamiento

- Compruebe que el auricular está apagado.
- Mantenga presionado el botón de emparejamiento, marcado con el logotipo [logotipo de emparejamiento] hasta que el LED quede iluminado en azul.

B. Configure el teléfono Bluetooth para que 'detecte' el Jabra BT00

Siga las instrucciones del teléfono. Generalmente hay que acceder en el teléfono a un menú llamado 'configuración', 'conexión' o 'Bluetooth' y seleccionar la opción 'detectar' o 'añadir un dispositivo Bluetooth'.* (Ver el ejemplo de un teléfono móvil normal en la fig. 3).



C. El teléfono detectará el Jabra BT00

A continuación, el teléfono le preguntará si quiere emparejarlo con el dispositivo detectado. Acepte pulsando 'OK' o 'Sí' en el teléfono y confírmelo con la contraseña o PIN = 0000 (4 ceros).

El teléfono confirmará que el emparejamiento se ha completado. En caso de que no se complete el emparejamiento, repita los pasos 1 a 3.

5. Llévelo como prefiera

El Jabra BT5020 está preparado para llevarlo en la oreja derecha. Si prefiere llevarlo en la izquierda, gire suavemente el gancho para que se adapte a la oreja izquierda. Ver fig. 4.

Para obtener un desempeño óptimo, lleve el Jabra BT00 y el teléfono móvil en el mismo lado del cuerpo o en una parte donde se encuentren en la misma línea. En general, obtendrá un mejor desempeño cuando no haya obstáculos entre el auricular y el teléfono móvil.

6. Cómo... Contestar llamadas

- Pulse el botón de respuesta/finalización de llamada del auricular.

Finalizar una llamada

- Pulse el botón de respuesta/finalización de llamada del auricular para finalizar una llamada en curso.

US

Realizar una llamada

- Cuando realice una llamada desde el teléfono móvil, la llamada se transferirá automáticamente al auricular (dependiendo de la configuración del teléfono). Si su teléfono no es compatible con esta característica, presione el botón de respuesta/finalización de llamada del Jabra BT5020 para transferir la llamada al auricular.

PT

FR

Rechazar una llamada*

- Pulse el botón de respuesta/finalización de llamada cuando el teléfono suene para rechazar una llamada entrante. En función de las configuraciones del teléfono, la llamada pasará al contestador automático o el llamante escuchará un tono de ocupado. F

Activar la marcación por voz*

- Presione el botón de respuesta/finalización de llamada. Para obtener unos (1DE) 71 resultados aún mejores, registre los nombres para la marcación por voz a través del auricular. Consulte el manual de usuario del teléfono para obtener más información sobre esta función.

Remarcar el último número*

- Pulse dos veces el botón de respuesta/finalización de llamada cuando el auricular esté encendido y no esté en uso.

Ajustar el sonido y el volumen

- Presione los botones de volumen para ajustarlo. Mostrar fig X. (El botón de SE subir volumen está por defecto en la parte superior del auricular cuando se lleva en la oreja derecha).

Silenciar una llamada en curso

NO. Para silenciar una llamada en curso, pulse los dos botones de volumen simultáneamente. El dispositivo emitirá un aviso sonoro con volumen bajo durante el periodo en que la llamada está silenciada.

- Para devolver el sonido a la llamada, pulse cualquiera de los botones de volumen.

Llamada en espera y paso de llamada al estado “en espera”*

Esta función permite poner en espera una llamada durante una conversación y responder a una llamada que se encuentra en espera.

- Presione una vez el botón de respuesta/finalización de llamada para poner en espera la llamada en curso y responder a la llamada en espera.
- Presione el botón de respuesta/finalización de llamada para pasar de una llamada a otra.
- Pulse el botón de respuesta/finalización de llamada del auricular para finalizar la llamada activa.

* Las funciones señaladas con * dependen de que el teléfono sea compatible con estas características. Para obtener más información, consulte el manual de su teléfono.

US

ES

PT

FR

7. Indicador de nivel de batería

Cuando el Jabra BT5020 está encendido o cuando se presiona un botón transcurrido más de un minuto después de haber pulsado un botón, el indicador LED muestra el nivel de batería del auricular.

Dos destellos verdes = cargado al 20% - 100%

Dos destellos amarillos = cargado al 10% - 20%

Dos destellos rojos = carga inferior a un 10%

8. ¿Qué significan las ¿Qué se ve?

Dos destellos de color luces?

¿Qué significa?

Ver indicador de nivel de batería (apartado 7)

Destellos de luz azul y verde	Llamada entrante
Destellos de luz azul	Parpadea cada segundo: llamada activa
Destellos de luz azul	Parpadea cada tres segundos: en modo de espera(durante 1 minuto y después se apaga)
Destellos de luz roja	Batería baja
Luz verde fija	Cargado completamente
Luz roja fija	Cargando
Luz azul fija	En modo de emparejamiento (ver apartado 4)

9.Utilización del Jabra BT5020 con dos teléfonos móviles

El Jabra BT5020 permite que el auricular esté conectado a dos teléfonos móviles al mismo tiempo. Esta característica ofrece la posibilidad de controlar dos teléfonos móviles con un único auricular. El funcionamiento del auricular es el que se describe en el apartado 6.

- US Lo único que hay que tener en cuenta es que la función de Rellamada al último número tendrá en cuenta el número correspondiente a la última llamada saliente, independientemente del teléfono desde el que se haya realizado, y que la función de Marcación por voz sólo funcionará con el último teléfono móvil que se haya emparejado.

PT

FR

10. Utilización de un Hub Bluetooth Jabra

El Jabra BT5020 se puede utilizar en conjunción con el Hub Bluetooth Jabra (se vende por separado). Esta combinación permite utilizar el auricular con un teléfono móvil y un teléfono fijo.

Emparejamiento del Jabra BT00 con el Hub Bluetooth Jabra

El proceso de emparejamiento difiere un poco del mencionado anteriormente:

- Ponga el Jabra BT5020 en el modo de emparejamiento.
- Ponga el Hub Bluetooth Jabra en el modo de emparejamiento.
- Sitúelos juntos. No se necesita un código PIN específico para emparejar dos productos de Jabra. Consulte el manual de usuario del Hub Bluetooth de Jabra para obtener más información sobre cómo conectar el hub Bluetooth al teléfono fijo.

La utilización del Jabra BT5020 junto con el Hub Bluetooth Jabra es muy similar a la utilización del auricular con un solo teléfono móvil. La única diferencia reside en la transferencia de una llamada desde el teléfono fijo al auricular.

Transferencia de una llamada al auricular

- Pulse el botón de respuesta/finalización de llamada para transferir la llamada del teléfono fijo al auricular a través del Hub Bluetooth Jabra. La respuesta a una llamada desde el teléfono fijo requiere un elevador del gancho para que el Jabra BT5020 pueda responder a la llamada automáticamente.

11. Utilización de un adaptador Bluetooth Jabra

Si desea utilizar el Jabra BT5020 con un teléfono móvil que no dispone de Bluetooth, la solución es el adaptador Jabra A210.

Este dispositivo proporciona una conexión inalámbrica con las siguientes características del auricular: responder/finalizar llamada, marcación por voz (si el teléfono dispone de esta funcionalidad) y silenciar llamada. Es posible que las funciones Rechazar una llamada, Rellamada al último número y Paso de llamada al estado "en espera" no sean compatibles con la clavija del auricular del teléfono móvil.

Emparejamiento del Jabra BT00 con el Jabra A10

El proceso de emparejamiento difiere un poco del mencionado anteriormente:

- Ponga el Jabra BT5020 en modo de emparejamiento.
- Ponga el adaptador Jabra A210 en modo de emparejamiento.
- Sitúelos juntos. No se necesita un código PIN específico para emparejar dos productos de Jabra. Para obtener más información, consulte el manual de usuario del adaptador Jabra A210.

Llamar/contestar una llamada cuando se utiliza el Jabra A10:

- Si realiza una llamada desde el teléfono móvil, la llamada se transferirá automáticamente al auricular (si éste está encendido).
- Contestar una llamada: pulse el botón respuesta/finalizar llamada del auricular, abra la tapa del teléfono móvil o pulse el botón de respuesta del teléfono móvil.

12. Solución de problemas y preguntas más frecuentes

Oigo chisporroteos:

- Para obtener la mejor calidad de sonido, lleve siempre el auricular en el mismo lado del cuerpo que el teléfono móvil.

No oigo nada a través del auricular

- Aumente el volumen del auricular
- Compruebe que el auricular está emparejado con el teléfono
- Asegúrese de que el teléfono está conectado al auricular –si no se conecta a través del menú Bluetooth del teléfono o pulsando el botón de respuesta/finalización de llamada, realice el procedimiento de emparejamiento (consulte el apartado 4).

Tengo problemas con el emparejamiento a pesar de que mi teléfono indica lo contrario:

- Es posible que haya borrado la conexión de emparejamiento con el auricular en el teléfono móvil. Siga las instrucciones de emparejamiento que figuran en el apartado 4.

¿Funciona el Jabra BT00 con otros dispositivos Bluetooth?

- El Jabra BT5020 está diseñado para funcionar con teléfonos móviles que dispongan de Bluetooth. Asimismo, puede funcionar con otros dispositivos Bluetooth que son compatibles con las versiones de Bluetooth 1.1, 1.2 o 2.0 y con los perfiles de auricular y/o manos libres.

US

ES

PT

FR

US

No puedo utilizar las funciones Rechazar llamada, Llamada en espera, Rellamada o Marcación por voz:

ES

- Estas funciones dependen de que el teléfono sea compatible con estas características. Para obtener más información, consulte el manual de su teléfono.

PT

FR

13. Más ayuda

1. Sitio web: www.jabra.com
(para consultar la información más reciente sobre soporte y los manuales de usuario en línea)
2. Correo electrónico:
Soporte técnico: techsupp@jabra.com
Información: info@jabra.com
3. Teléfono:
1 (800) 327-2230 (llamada gratuita en los Estados Unidos)
(603) 579-5311 (Canadá)

14. Cuidados del auricular

- Guarde siempre el Jabra BT5020 apagado y protegido adecuadamente.
- Evite exponerlo a temperaturas extremas (superiores a 45° C/113° F o inferiores a -10° C/14° F) o a la luz solar directa. De lo contrario, la vida útil de la batería se reducirá y el funcionamiento podrá verse afectado. Las altas temperaturas también pueden disminuir el desempeño.
- No exponga el Jabra BT5020 a la lluvia ni a otro tipo de líquidos.

15. Certificación y homologaciones de seguridad

FCC

Este dispositivo cumple el artículo 15 del Reglamento FCC. Su funcionamiento depende de dos condiciones: (1) este dispositivo no debe causar interferencias dañinas, y (2) este dispositivo debe aceptar cualquier interferencia recibida, incluyendo interferencias que puedan provocar su mal funcionamiento.

Sus usuarios no están autorizados a hacer cambios o a modificar el dispositivo de modo alguno. Si el usuario realiza cambios o modificaciones no aprobadas expresamente por Jabra (GN Netcom), perderá la autorización para utilizar el equipo.

Este equipo ha sido sometido a pruebas que demuestran que cumplen los límites establecidos para los dispositivos digitales de Clase B, de conformidad con el artículo 15 del Reglamento FCC. Estos límites han sido diseñados para ofrecer una protección razonable contra las interferencias dañinas en las

instalaciones residenciales. Este equipo genera, utiliza y puede irradiar energías de radiofrecuencia y, si no se instala y utiliza de acuerdo con sus instrucciones, puede provocar interferencias dañinas para las comunicaciones de radio. Sin embargo, no se garantiza que no se produzcan interferencias en algunas instalaciones. Si este equipo provoca interferencias dañinas para la recepción de radio o televisión, que puedan verificarse apagando y prendiendo el dispositivo, se invita al usuario a que intente corregir la interferencia mediante una o varias de las siguientes medidas:

- Reorientar o cambiar de sitio la antena receptora.
- Aumentar la separación entre el equipo y el receptor.
- Conectar el equipo a un enchufe de un circuito diferente al que está conectado el receptor.
- Consultar al distribuidor o pedir asistencia a un técnico especialista en radio y televisión.

El dispositivo y su antena no deben presentar cargas comunes ni funcionar conjuntamente con otra antena o transmisor.

Industry Canada

Su funcionamiento depende de dos condiciones: (1) Este dispositivo no debe causar interferencias, y (2) este dispositivo debe aceptar cualquier interferencia, incluyendo interferencias que puedan provocar su mal funcionamiento.

La marca "IC:" antes del número de certificación o registro tan sólo señala que se ha llevado a cabo el registro mediante una Declaración de Conformidad que indique que se han cumplido las especificaciones de Industry Canada. Esta marca no implica que Industry Canada haya homologado el equipo.

Bluetooth

La marca denominativa Bluetooth® y sus logotipos son propiedad de Bluetooth SIG, Inc. y Jabra utiliza dichas marcas bajo licencia. Las demás marcas y nombres comerciales son propiedad de sus titulares respectivos.

16. Garantía

Información de servicio y de garantía

Garantía de un (1) año limitada

GN Netcom, Metalbuen 66, DK-2750 Ballerup ("GN"), garantiza que este producto no contiene ningún defecto en sus materiales ni en su fabricación (sujeto a los términos definidos a continuación) durante un periodo de un (1) año desde la fecha de adquisición ("Periodo de garantía"). Durante el Periodo de garantía, GN reparará o sustituirá (según considere oportuno) este producto o cualquier parte defectuosa ("Servicio de garantía"). Si la reparación o sustitución no fuera comercialmente viable o no se pudiera realizar a tiempo,

US

ES

PT

FR

US GN podrá elegir reembolsar la cuantía de la compra abonada por el producto afectado. La reparación o sustitución de acuerdo con los términos de esta garantía no otorga ningún derecho a una extensión o a un nuevo comienzo del período de la garantía.

PT **Reclamaciones durante el período de garantía**

FR Para obtener el Servicio de garantía, póngase en contacto con el distribuidor de GN que le vendió este producto o visite www.gnnetcom.com o www.jabra.com para obtener más información acerca del servicio de atención al cliente. Tendrá que devolver este producto al distribuidor o enviarlo al distribuidor o a GN (si así se indicase en www.gnnetcom.com o en www.jabra.com) bien en su embalaje original o en un embalaje que proporcione el mismo grado de protección.

El usuario asumirá los costes asociados al envío del producto a GN. Si el producto está cubierto por la garantía, GN correrá con los gastos de envío del producto al usuario después de haber realizado el servicio de acuerdo con esta garantía. El coste de devolución del producto se cargará al usuario en caso de que los productos no estén cubiertos por la garantía o no requieran una reparación cubierta por la garantía.

Se debe presentar la siguiente información para obtener el Servicio de garantía: (a) el producto y (b) justificante de compra, que indique claramente el nombre y dirección del vendedor, la fecha de compra y el tipo de producto, que es la prueba de que este producto se encuentra dentro del período de garantía. Incluya además (c) la dirección de envío. (d) número de teléfono de contacto y (e) motivo de devolución.

Como parte de los esfuerzos de GN/Jabra para reducir el daño medioambiental, por el presente documento acepta que el producto puede constar de equipo reacondicionado que contiene componentes utilizados, algunos de ellos adaptados. Los componentes utilizados cumplen los principios de alta calidad de GN/Jabra y cumplen con las especificaciones de fiabilidad y rendimiento del producto de GN. Por el presente documento, acepta que las piezas o componentes sustituidas serán propiedad de GN.

Limitación de la garantía

Esta garantía sólo es válida para el comprador original y terminará automáticamente antes de su expiración si este producto se vendiese o se transfiriese a otra persona. La garantía proporcionada por GN en este documento es válida únicamente para los productos adquiridos para su uso y no para reventa. No es válida para las compras de segunda mano, que se compran "tal cual" y sin ningún tipo de garantía.

Están exentos de manera específica de cualquier garantía los componentes consumibles de vida limitada sujetos al desgaste normal, como las protecciones de los micrófonos, las almohadillas de los auriculares, los enchufes modulares, los auriculares, las decoraciones, las baterías y otros accesorios.

US Esta garantía no es válida si el número de serie aplicado en la fábrica, la etiqueta del código de fecha o la etiqueta del producto se ha modificado o quitado de este producto.

ES Esta garantía no cubre los daños de imagen o los daños debidos a un uso incorrecto, abuso, negligencia, desgracias motivadas por las fuerzas de la naturaleza, accidentes, desmontaje o modificación del producto, o de cualquier parte de él. Esta garantía no cubre los daños provocados por una operación, mantenimiento o instalación inadecuados o el intento de reparación por cualquiera que no sea GN o un distribuidor de GN con autorización para realizar el trabajo de garantía de GN. Todas las reparaciones no autorizadas anularán esta garantía.

FR REPARACIONES O SUSTITUCIONES REALIZADAS TAL COMO SE INDICA EN ESTA GARANTÍA ES LA ÚNICA SOLUCIÓN JURÍDICA DEL CONSUMIDOR. GN NO SERÁ RESPONSABLE DE NINGÚN DAÑO INCIDENTAL O CONSECUENCIA DEL INCUMPLIMIENTO EXPRESO O IMPLÍCITO DE LA GARANTÍA DE ESTE PRODUCTO. EXCEPTO HASTA LOS LÍMITES NO PERMITIDOS POR LA LEY, ESTA GARANTÍA ES EXCLUSIVA Y SUSTITUYE TODAS LAS GARANTÍAS EXPRESAS E IMPLÍCITAS, INCLUIDA, PERO SIN LIMITARSE A ELLO, LA GARANTÍA DE COMERCIABILIDAD E IDONEIDAD PARA UN FIN PRÁCTICO.

NOTA: Esta garantía le proporciona derechos legales específicos. Puede tener otros derechos que varían de un lugar a otro. Algunas jurisdicciones no permiten la exclusión o limitación de daños incidentales o consecuentes o las garantías implícitas, por lo que es posible que las exclusiones anteriores no se apliquen en su caso. Esta garantía no afecta a sus derechos legales de acuerdo con sus leyes nacionales o locales.



Dispose of the product according to local standards and regulations.
www.jabra.com/weee

Jabra BT125 Auricular Bluetooth

Português

1. Obrigado	32
2. Sobre dos Jabra BT5020	33
3. O que os fones de ouvido permitem fazer	33
4. Iniciar	34
5. Use-o como desejar	35
6. Como	36
7. Indicador de bateria	37
8. Significado das luzes	37
9. Usar os Jabra BT5020 com 2 telefones celulares	37
10. Usar o hub Bluetooth Jabra	38
11. Usar o adaptador Bluetooth Jabra	38
12. Solução de problemas e PMF	39
13. Precisa de mais ajuda?	39
14. Cuidar dos fones de ouvido	40
15. Certificação e aprovações de segurança	40
16. Garantia	41

US I. Obrigado

Obrigado por ter comprado os fones de ouvido Bluetooth Jabra BT5020.

ES Esperamos que você tire o máximo deste produto! Este guia de instruções lhe permite começar a usar e tirar o máximo dos fones de ouvido

PT AVISO!

FR Os fones de ouvido podem fornecer sons com volumes muito altos e com tons altos.

A exposição a esse tipo de sons pode causar lesões auditivas permanentes. O nível de volume pode variar, tendo como base algumas condições como o telefone que estiver usando, as definições de volume e sua recepção, bem como o ambiente. Antes de usar estes fones de ouvido, leia a diretrizes de segurança a seguir.

Diretrizes de segurança

1. Antes de usar este produto, siga estes passos:

- Antes de colocar os fones de ouvido, defina o volume para seu nível mais baixo,
- Coloque os fones de ouvido e, então,
- Ajuste o volume para um nível confortável.

2. Durante o uso deste produto

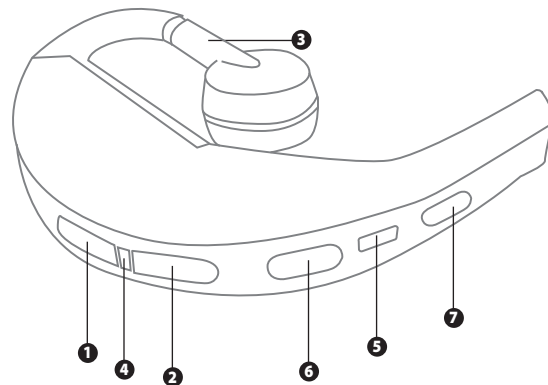
- Mantenha o volume no nível mais baixo possível, e evite usar os fones de ouvido em ambientes ruidosos em que possa ser necessário aumentar o volume;
- Se for preciso aumentar o volume, faça-o lentamente;
- Se notar desconforto ou zumbidos nos ouvidos, deixe imediatamente de usar os fones de ouvido e consulte um médico.

Com um uso continuado num volume elevado, os ouvidos podem-se habituar ao nível sonoro o que pode resultar em danos permanentes na audição sem ser notado qualquer desconforto.

O uso de fones de ouvido durante a condução de um veículo, moto, barco ou bicicleta pode ser perigoso, e é ilegal em algumas jurisdições. Consulte as leis locais. Tenha o máximo cuidado quando do uso dos fones de ouvido quando está concentrado em uma atividade que precise de atenção máxima. Durante o trabalho em essa atividade, retire os fones de ouvido da zona dos ouvidos, ou desligue-os, para evitar distrações, bem como acidentes ou lesões.

2. Sobre os Jabra BT5020

- 1 Aumentar volume
- 2 Baixar volume
- 3 Suporte de ouvido ajustável
- 4 Indicador luminoso
- 5 Tomada de carga
- 6 Ligar/desligar emparelhamento
- 7 Botão de atender/terminar



3. O que os fones de ouvido permitem fazer

Os Jabra BT5020 lhe permitem o seguinte:

- Atender chamadas
- Terminar chamadas
- Rejeitar chamadas
- Marcação viva-voz (dependente do telefone)
- Remarcar o último numero
- Chamadas em espera
- Colocar uma chamada em espera
- Silenciar
- Ativar/Desativar dispositivo de vibração

ES Especificações:

- Tempo de conversação até 10 horas/tempo de espera até 300 horas
- Bateria recarregável com opção de carga a partir de fonte de alimentação CA, PC através de cabo USB ou carregador de viatura (não incluído)
- Peso de 16 gramas
- Indicador de bateria
- Raio de operação até 10 metros (aproximadamente 33 pés)
- Perfis Bluetooth de viva-voz e fone
- Especificações de Bluetooth (veja o glossário), versão 2.0

4. Iniciar

Os Jabra BT5020 são fáceis de usar. O botão de atender/terminar no fone possui funções diferentes, dependendo do modo como pressionar.

Instruções????	Tempo de pressão:
Toque	Pressionar brevemente
Toque duplo	2 toques rápidos
Pressionar	Aprox. 1 segundo
Pressionar sem soltar	Aprox. 2 a 3 segundos

1) Carregar os fones

-N. Certifique-se de que os fones Jabra BT5020 estejam totalmente carregados antes de os começar a usar. Use o adaptador de CA para carregar a partir de uma tomada elétrica, ou carregue diretamente do PC com o cabo USB fornecido. Ligue os fones de ouvido como mostrado na Figura x. Quando o LED estiver vermelho fixo, o fone está sendo carregado. Quando o LED ficar verde, está totalmente carregado.

Nota: O tempo de vida da bateria é significativamente reduzido se seu dispositivo for deixado descarregado durante um período de tempo longo. Assim, recomendamos que descarregue o dispositivo, ao menos, uma vez por mês.

2) Ligar e desligar os fones de ouvido

- Pressione o botão ligar/desligar/emparelhar para ligar os fones de ouvido. O LED fica verde intermitente quando os fones de ouvido estiverem ligados.
- Pressione sem soltar o botão de ligar/desligar/emparelhar para desligar os fones de ouvido. O LED fica vermelho quando os fones de ouvido estiverem desligados.

3) Emparelhar com o telefone

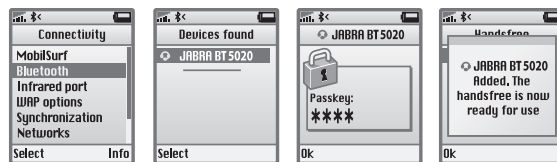
Antes de usar os Jabra BT5020, necessita de emparelhá-los com o celular. A primeira vez que liga os Jabra BT5020, os fones de ouvido entrarão automaticamente no modo de emparelhamento. Se, depois, precisar de voltar a executar a ligação, use as diretrizes a seguir:

A. Coloque os fones de ouvido no modo de emparelhamento

- Certifique-se de que os fones de ouvido estejam desligados.
- Pressione sem soltar o botão de emparelhamento marcado com [logo de emparelhamento] até o LED ficar azul fixo.

B. Configure o telefone celular Bluetooth para 'descobrir' os Jabra BT5020

Siga as instruções fornecidas no guia do telefone. Este procedimento implica, geralmente, que acesse um menu de 'configuração'/ligação' ou 'Bluetooth' no telefone e a seleção da opção para 'descobrir' ou 'adicionar' um dispositivo Bluetooth.* (Veja o exemplo a partir de um telefone celular normal na Figura 3)



C. Seu telefone encontrará os Jabra BT5020

O telefone pergunta, então, se deseja efetuar o emparelhamento. Responda afirmativamente pressionando 'Sim' ou 'OK' no telefone e confirme com a senha ou PIN =0000 (4 zeros).

O telefone confirmará quando o emparelhamento está completado. Se o emparelhamento não tiver êxito, repita as etapas passos 1 a 3.

5. Use-o como desejar

Os Jabra BT5020 estão preparados para serem usados no ouvido direito. Se preferir usar no ouvido esquerdo, rode cuidadosamente o suporte para o adaptar no ouvido esquerdo. Veja a Figura 4. Para obter um desempenho otimizado, use os Jabra BT5020 e o telefone celular no mesmo lado do corpo, ou dentro do raio de alcance. Em geral, obterá o melhor desempenho quando não existirem obstáculos entre os fones e o telefone celular.

6* Como

Atender uma chamada

- Toque no botão atender/terminar nos fones de ouvido para atender uma chamada.

Terminar uma chamada

- Toque no botão atender/terminar para terminar uma chamada ativa.
Jabra BT125 Fones de ouvido Bluetooth

Efetuar uma chamada

- Quando efetuar uma chamada do telefone celular, ela será transferida* automaticamente para os fones de ouvido (dependente das definições do telefone). Se seu telefone não permitir este recurso, toque no botão de atender/terminar dos Jabra BT5020 para transferir a chamada para os fones de ouvido. Rejeitar uma chamada*
- Pressione o botão de atender/terminar quando o telefone tocar, para rejeitar uma chamada recebida. Dependendo das definições do telefone, a pessoa que ligou será encaminhada para a caixa de correio de voz ou ouvirá um sinal de ocupado.

Ativar a marcação por voz*

- Pressione o botão de atender/terminar. Para obter os melhores resultados, grave a informação de marcação por voz através dos fones de ouvido.

Consulte o Guia do Usuário do telefone para mais informações sobre o uso desta funcionalidade. p\ Remarcar o último número* J• Toque duas vezes no botão de atender/terminar quando os fones de ouvido estiverem ligados e sem estarem sendo usados. 9) Ajustar o som e o volume • Pressione 0 botão de aumentar ou reduzir volume para ajustar o volume. Figura X. (0 botão de aumentar volume está, por padrão, na parte superior dos fones de ouvido quando estes são usados no ouvido direito).

Silenciar uma chamada ativa

- Para silenciar uma chamada ativa pressione, ao mesmo tempo, os botões de aumentar e reduzir volume. Um alerta sonoro baixo será emitido durante uma chamada silenciada.
- Para cancelar o silenciamento, toque em um dos botões de volume

Chamada em espera e colocar uma chamada em espera*

Esta função lhe permite colocar uma chamada em espera durante uma conversa, e atender uma chamada em espera.

- Pressione uma vez o botão de atender/terminar para colocar uma chamada ativa em espera, e atender a chamada em espera.
- Pressione o botão de responder/terminar para alternar entre as duas chamadas.
- Toque no botão de atender/terminar para terminar a conversa ativa.
- As funções marcadas com • estão dependentes de seu telefone suportá-las.

Consulte o Guia do Usuário do telefone para mais informações.

7. Indicador de bateria

Quando os Jabra BT5020 estiverem ligados, ou quando um botão for pressionado durante mais de 1 minuto depois de pressionado o último botão, o indicador de LED do nível de bateria dos fones de ouvido.

- 2 Verde piscando = 20% a 100% carregada
- 2 Amarelo piscando = 10% a 20% carregada
- 2 Vermelho piscando = Menos que 10% carregada

8. Significado das luzes

2 cores piscando Consulte o indicador da bateria (seção 7)

Indicadores luminosos azul e verde piscando	Chamada a chegar
Indicador luminoso azul piscando	Piscando a cada segundo: Chamada ativa)
Indicador luminoso azul piscando	Piscando a cada três segundos: Em modo de espera (Somente durante 1 minuto, e então desliga)
Piscando	Bateria fraca
Indicador luminoso verde fixo	Totalmente carregada
Indicador luminoso vermelho fixo	Carregando
Indicador luminoso azul fixo	Em modo de emparelhamento - Veja a seção 4

9. Usar os Jabra BT5020 com 2 telefones celulares

Os Jabra BT5020 suportam a ligação ao mesmo tempo de dois telefones celulares. Esta opção lhe dá a liberdade para ter somente uns fones de ouvido funcionando com seus celulares. O funcionamento das funções dos fones de ouvido está descrito na Seção 6.

De realçar que o último número marcado será o número da última chamada efetuada, independentemente dos telefones celulares, e que a função Marcação por voz somente funcionará no último celular emparelhado.

10. Usar o hub Bluetooth Jabra

Os Jabra BT5020 podem ser usados com o hub Bluetooth Jabra (vendido separadamente). Este hub lhe permite usar os fones de ouvido com o celular com o telefone do escritório.

Para emparelhar os Jabra BT5020 com o hub Bluetooth Jabra

O processo de emparelhamento é um pouco diferente:

- Coloque os Jabra BT5020 em modo de emparelhamento
- Coloque o hub Bluetooth Jabra em modo de emparelhamento.
- Coloque-os perto. Não precisa de um código PIN dedicado para emparelhar os dois produtos Jabra. Veja o Guia do Usuário do hub Bluetooth Jabra para mais informações sobre como conectar o hub Bluetooth no telefone do escritório.

O uso dos Jabra BT5020 com o hub Bluetooth Jabra é muito semelhante ao uso dos fones de ouvido somente com um celular. A única diferença reside na transferência de uma chamada para os fones de ouvido a partir do telefone do escritório. Jabra BT125 Fones de ouvido Bluetooth

Transferir a chamada para os fones de ouvido

- Toque no botão de atender/terminar para transferir a chamada do telefone do escritório para os fones de ouvido através do hub Bluetooth Jabra

O atendimento de uma chamada a partir do telefone do escritório requer um adaptador para que os Jabra BT5020 atendam automaticamente as chamadas.

11. Usar o adaptador Bluetooth Jabra

Se pretende usar os Jabra BT5020 com um telefone celular não Bluetooth, o adaptador Jabra A210 é a resposta.

L) Ele lhe permite uma conexão sem fio com as funcionalidades a seguir dos fones de ouvido: Atender/terminar chamada, função de marcação por voz (se suportada pelo telefone) e silenciar. A rejeição de uma chamada, a remarcação do último número e a colocação de uma chamada em espera pode não ser

] suportada através da tomada dos fones de ouvido no celular.

Para emparelhar os Jabra BT5020 com o Jabra A210

^ O processo de emparelhamento é um pouco diferente:

Coloque os Jabra BT5020 em modo de emparelhamento Coloque o adaptador Jabra A210 em modo de emparelhamento. Coloque-os perto. Não precisa necessita de um código PIN dedicado para emparelhar os dois produtos Jabra. Consulte o Guia do Usuário do adaptador Jabra A210 para obter mais informações.

Efetuar/atender uma chamada quando do uso do Jabra A210

- Quando efetuar uma chamada do telefone celular, ela será transferida automaticamente para os fones de ouvido (se ligados)

- Para atender uma chamada: Toque no botão atender/terminar nos fones, abra o braço deslizante ou pressione o botão de atender no celular

12. Solução de problemas e PMF

Escuto estalidos

- Para obter a melhor qualidade de áudio, use sempre os fones de ouvido no mesmo lado do celular

Não tenho nenhum som nos fones de ouvido

- Aumente o volume nos fones de ouvido
- Certifique-se de que os fones de ouvido estejam emparelhados com o telefone
- Certifique-se de que o telefone esteja conectado nos fones de ouvido - Se não conseguir efetuar a conexão a partir do menu Bluetooth do telefone ou tocando no botão de atender/terminar, siga o procedimento de emparelhamento (veja a Seção 4)

Ocorrem problemas de emparelhamento mesmo quando meu telefone indica o contrário

- Pode ter excluído o emparelhamento dos fones de ouvido com seu celular. Siga as instruções de emparelhamento descritas na Seção 4.

Os Jabra BT5020 funcionam com outros equipamentos Bluetooth?

- Os Jabra BT5020 foram projetados para funcionarem com celulares Bluetooth. Também podem funcionar com outros dispositivos Bluetooth compatíveis com a versão 1.1, 1.2 ou 2.0 Bluetooth, e suportam uns fones de ouvido e/ou perfil de viva-voz. Não consigo usar Rejeitar chamada, Chamada em espera, Remarcar ou Marcação por voz
- Essas funções estão dependentes de seu telefone as suportar. Consulte o guia do telefone para obter mais detalhes.

13. Precisa de mais ajuda?

1. Site: www.jabra.com
(para obter as informações de suporte mais recentes e os manuais do usuário on-line)
2. E-mail: Suporte técnico: techsupp@jabra.com
Informações: info@jabra.com
3. Telefone: 1 (800) 327-2230 (gratuito nos EUA)
(603) 579-5311 (Canadá)

14. Cuidar dos fones de ouvido

Guarde sempre os Jabra BT5020 desligados e protegidos com segurança. Evite o armazenamento com temperaturas extremas (acima de 45°C/113°F - incluindo a luz do sol direta -ou abaixo de-10°C/14°F). Se o fizer, pode reduzir o tempo de vida útil da bateria e afetar o funcionamento. As temperaturas elevadas também podem degradar o desempenho. Não exponha os Jabra BT5020 a chuva ou a outros líquidos.

15. Certificação e aprovações de segurança FCC

Este dispositivo está conforme a parte 15 das Regras FCC. O funcionamento está sujeito às duas condições a seguir: (1) Este dispositivo não pode causar interferência prejudicial, e (2) este dispositivo deve aceitar qualquer interferência recebida incluindo aquelas que causam uma operação não desejada.

Os usuários não podem fazer mudanças no dispositivo em caso algum.

Mudanças não aprovadas pela Jabra (GN Netcom) anularão a autorização do usuário para operar o equipamento.

O equipamento foi testado e está em conformidade com os limites de dispositivo digital de classe B, de acordo com a parte 15 das normas FCC. Esses limites foram criados para oferecer proteção contra interferências prejudiciais em instalações residenciais. Este equipamento gera, usa e pode irradiar energia de radiofrequência e se não for instalado e usado de acordo com as instruções, pode causar interferências prejudiciais às radiocomunicações. Entretanto, não há garantias de que a interferência ocorrerá em uma determinada instalação.

Se este equipamento causar interferências prejudiciais à recepção de rádio ou televisão, o que pode ser determinado desligando-se o equipamento e ligando-o novamente, recomenda-se que o usuário tente corrigir a interferência de uma das seguintes maneiras:

- Reorientar ou relocar a antena de recepção.
- Aumente a separação entre o equipamento e o receptor.
- Conecte o equipamento em uma tomada em um circuito diferente daquele em que o receptor está conectado.
- Consulte o representante ou um técnico de rádio/TV para obter ajuda.

O dispositivo e a antena não podem ser co-carregados nem operar em conjunto com outras antenas ou transmissores.

Industry Canada

O funcionamento está sujeito às duas condições a seguir: (1) Que este dispositivo não cause interferência e (2) que este dispositivo aceite interferências, incluindo aquelas que podem causar um funcionamento não desejado.

O termo "IC:" que precede um número de certificação ou registro significa apenas que o registro foi feito com base em uma Declaração de Conformidade

indicando que as especificações técnicas de Industry Canada foram atendidas. Isso não implica que a Industry Canada tenha aprovado o equipamento.

Bluetooth

A marca e logo Bluetooth® são de SIG Bluetooth, Inc. e qualquer uso de tais marcas da Jabra está sob licença. Outras marcas e marcas registradas são de seus proprietários.



16. Garantia

Informações de garantia e serviço

Garantia limitada de Um (1) ano

A GN Netcom Inc. ("GN") garante que este produto está livre de defeitos nos materiais e mão-de-obra (sujeito aos termos definidos abaixo) durante o período de um (1) ano a partir da data de compra ("Período da Garantia"). Durante o Período da Garantia, a GN reparará ou substituirá (por decisão da GN) este produto ou qualquer peça com defeito ("Serviço da Garantia"). Se a reparação ou a substituição não for comercialmente praticável, ou se não puder ser efetuada atempadamente, a GN pode optar por lhe devolver o preço da compra pago pelo produto afetado. A reparação ou a substituição ao abrigo dos termos desta garantia não dá o direito de nenhuma extensão ou um novo começo do período da garantia.

Reclamações ao abrigo da garantia

Para obter Serviço da Garantia, contate o agente da GN onde comprou este produto, ou visite www.gnnetcom.com ou www.jabra.com para obter mais informações sobre o suporte de cliente.

Você precisará retornar este Produto para o agente ou enviá-lo para o representante ou GN (como indicado em www.gnnetcom.com ou www.jabra.com) em sua embalagem original, ou pacote com grau igual de proteção.

Você suportará o custo do envio do produto para a GN. Se o Produto estiver coberto pela garantia, a GN suportará o custo do envio de volta para você, depois do serviço ao abrigo desta garantia. O envio de retorno lhe será debitado pelos produtos não cobertos pela garantia ou que não precisem de reparação ao abrigo da garantia.

As informações a seguir precisam ser apresentadas para obter o Serviço da Garantia: (a) o produto, e (b) prova de compra, que indique claramente o nome e endereço do vendedor, a data da aquisição e o tipo de produto, que demonstre que este produto está dentro do Período de Garantia. Inclua também (c) seu endereço de retorno. (d) Número de telefone para contato diurno, e (e) a razão do retorno.

Como parte dos esforços da GN/Jabra para reduzir o impacto ambiental, você entende que o produto pode ter equipamento reconicionado que contém componentes usados, alguns dos quais retrabalhados. Os componentes usados cumprem todos os padrões de alta qualidade da GN/Jabra e estão conforme as especificações de desempenho e fiabilidade dos produtos GN. Você entende que os componentes ou peças substituídos se tornarão propriedade da GN.

Limitação da Garantia

Esta garantia somente é válida para o comprador original e terminará automaticamente antes da expiração se este produto for vendido, ou transferido para terceiros. A garantia fornecida pela GN nesta declaração se aplica somente em produtos adquiridos para uso e não para revenda. Ela não se aplica a compras de caixas abertas que são vendidas “como estão” e sem nenhuma garantia.

Especificamente isentos da garantia estão os componentes consumíveis de vida limitada sujeitos ao desgaste normal, como as proteções do microfone, as almofadas de ouvido, os plugues modulares, os auriculares, os acabamentos decorativos, baterias e outros acessórios.

Esta garantia é inválida se o número serial aplicado de fábrica, etiqueta do código da data ou etiqueta do produto ter sido alterado ou removido deste produto.

Esta Garantia não cobre danos cosméticos ou danos devido ao mau uso, abuso, negligência, atos da natureza, acidentes, desmontagem ou modificação do, ou parte do, produto. Esta Garantia não cobre danos devido a instalação, manutenção ou operação incorreta, ou tentativa de reparação que não tenha sido efetuada pela GN, um agente da GN autorizado para trabalho de garantia. Qualquer reparação não autorizada evitará esta garantia.

AS REPARAÇÕES OU SUBSTITUIÇÕES COMO FORNECIDAS AO ABRIGO DESTA GARANTIA SÃO A ÚNICA SOLUÇÃO DO CONSUMIDOR. A GN NÃO SERÁ RESPONSÁVEL POR QUALQUER DANOS INCIDENTAL OU CONSEQUENCIAL POR QUEBRA DE QUALQUER GARANTIA EXPRESSA OU IMPLÍCITA DESTES PRODUTOS. EXCETO NA EXTENSÃO PROIBIDA POR LEI, ESTA GARANTIA É EXCLUSIVA E EM LUGAR DE TODAS AS OUTRAS GARANTIAS EXPRESSAS OU IMPLÍCITAS, INCLUINDO MAS NÃO SE LIMITANDO À GARANTIA DE COMERCIALIZAÇÃO E ADAPTAÇÃO PARA UMA DETERMINADA FINALIDADE.

NOTA! Esta garantia lhe dá direitos legais específicos. Você pode ter outros direitos que variam de local para local. Algumas jurisdições não permitem a exclusão ou limitação de danos incidentais ou consequenciais ou garantias implícitas. Por isso, as exclusões acima podem não se aplicar a você. Esta garantia não afeta seus direitos legais (estatutários) ao abrigo de suas leis locais e nacionais aplicáveis.



Dispose of the product according to local standards and regulations.
www.jabra.com/weee

Français

1. Remerciements	46
2. À propos de votre Jabra BT5020	47
3. Fonctions de votre nouveau casque	47
4. Mise en route	48
5. Portez-le à votre convenance	49
6. Comment faire pour.....	50
7. Indicateur de niveau de batterie	51
8. Explication des voyants lumineux.....	51
9. Utilisation du Jabra BT5020 avec 2 téléphones portables	52
10. Utilisation avec un boîtier de connexion Bluetooth Jabra.....	52
11. Utilisation avec un adaptateur Bluetooth Jabra.....	53
12. Diagnostic des pannes et questions fréquentes	53
13. Besoin d'aide supplémentaire ?.....	54
14. Entretien de votre casque	54
15. Homologation et approbations de sécurité	54
16. Garantie.....	55

US 1. Remerciements

Nous vous remercions d'avoir acheté le casque Bluetooth Jabra BT5020. Nous espérons qu'il vous donnera pleinement satisfaction! Ce mode d'emploi vous permettra d'utiliser et de tirer le meilleur parti de votre casque.

PT ATTENTION!

Les casques sont capables de produire des sons à niveau sonore élevé et des notes aiguës.

L'exposition à ce type de sons peut provoquer des pertes/lésions auditives définitives. Le niveau sonore peut varier en fonction de conditions telles que le téléphone utilisé, sa réception, les paramètres de volume et l'environnement. Lisez attentivement les conseils de sécurité ci-dessous avant d'utiliser ce casque.

Conseils de sécurité

1. Avant d'utiliser ce produit, effectuez les opérations suivantes :

- avant de mettre le casque, réglez le volume au niveau le plus bas,
- mettez le casque, puis
- réglez progressivement le volume à un niveau confortable.

2. Pendant l'utilisation du produit :

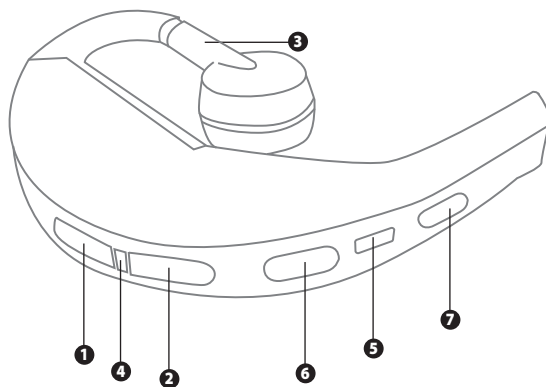
- gardez le volume au niveau le plus bas possible et évitez d'utiliser le casque dans des environnements bruyants où vous seriez tenté d'augmenter le volume;
- s'il est nécessaire d'augmenter le volume, réglez-le progressivement; et
- si vous ressentez de la gêne ou un bourdonnement dans les oreilles, arrêtez immédiatement l'utilisation du casque et consultez un médecin.

En cas d'utilisation prolongée à volume élevé, vous pouvez vous accoutumer à ce niveau sonore, ce qui peut, sans gêne perceptible, entraîner des dommages irréversibles à votre ouïe.

Il peut être dangereux et, sous certaines juridictions, illégal, d'utiliser le casque en conduisant un véhicule à moteur, une moto, un bateau ou un vélo. Renseignez-vous sur la loi locale. Soyez prudent si vous utilisez le casque lorsque vous pratiquez une activité qui requiert toute votre attention. Dans ce cas, il est conseillé de retirer le casque ou de l'éteindre pour éliminer toute distraction, de sorte à éviter un accident ou des blessures.

2. À propos de votre Jabra BT5020

- 1 Volume +
- 2 Volume -
- 3 Oreillette réglable
- 4 Indicateur lumineux
- 5 Prise de chargement
- 6 Appairage Marche/Arrêt
- 7 Bouton Réponse/Fin



3. Fonctions de votre nouveau casque

Le Jabra BT5020 vous permet de :

- répondre aux appels
- mettre fin aux appels
- refuser des appels
- effectuer un appel par numérotation vocale (dépend du modèle de téléphone)
- rappeler le dernier numéro
- prendre un double appel
- mettre un appel en attente
- utiliser le mode secret
- activer/désactiver le vibreur

Spécifications :

- Jusqu'à 10 h de temps de communication/300 h en mode veille
- Batterie rechargeable compatible avec tout chargeur d'alimentation en courant alternatif, PC via USB ou chargeur voiture (non fourni)
- Poids : 16 grammes
- Indicateur de niveau de batterie
- Portée : jusqu'à environ 10 m
- Profils Bluetooth : casque et mains libres
- Spécification Bluetooth (voir glossaire) version 2.0

4. Mise en route

Le Jabra BT5020 est facile à utiliser. La touche Réponse/Fin du casque assure différentes fonctions selon la durée de pression.

Instructions :	Durée de pression
Tapez	Pression brève
Double-tapez	2 pressions brèves répétées rapidement
Appuyez	env. 1 seconde
Maintenez enfoncée	plus de 3 secondes

1) Charger le casque

Avant la première utilisation, assurez-vous que le Jabra BT5020 est entièrement chargé. Utilisez l'adaptateur secteur CA ou chargez-le directement de votre PC avec le câble USB fourni. Branchez le casque comme indiqué sur l'ill. x. Quand le voyant rouge reste allumé en continu, le casque est en charge. Quand le voyant est vert, le casque est entièrement chargé.

Veillez noter que la durée de vie de la batterie sera considérablement réduite si votre appareil reste déchargé pendant une longue période. Par conséquent, nous vous recommandons de le recharger au moins une fois par mois.

2) Mettre en marche et éteindre le casque

- Pour mettre le casque en marche, appuyez sur la touche Marche/Arrêt Appairage. Le voyant émet un clignotement vert quand le casque est en marche.
- Pour éteindre le casque, maintenez enfoncée la touche Marche/Arrêt Appairage. Le voyant sera rouge une fois le casque éteint.

3) Appairer le casque avec votre téléphone

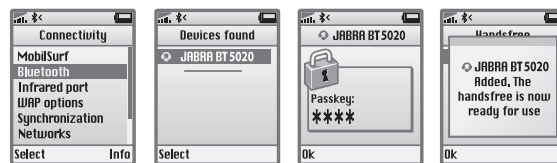
Avant d'utiliser votre Jabra BT5020, vous devez l'appairer avec votre téléphone portable. La première fois que vous allumez le Jabra BT5020, le casque se met automatiquement en mode d'appairage. Si vous devez ultérieurement appairer de nouveau la connexion, procédez comme suit :

A. Mettez le casque en mode appairage

- Assurez-vous que le casque est éteint.
- Maintenez enfoncée le bouton Réponse/Fin jusqu'à ce que le voyant reste bleu en continu.

B. Réglez votre téléphone Bluetooth pour qu'il « détecte » le Jabra BT5020

Suivez le mode d'emploi de votre téléphone. Généralement, la procédure à suivre implique d'accéder, sur votre téléphone, à un menu de configuration, de connexion ou de Bluetooth, puis de sélectionner l'option de détection ou d'ajout d'un périphérique Bluetooth.* (Voir exemple d'un téléphone portable type sur l'ill. 3).

**C. Votre téléphone détecte le Jabra BT5020**

Votre téléphone vous demande ensuite si vous voulez appairer le casque avec le téléphone. Acceptez en appuyant sur « Yes », ou « OK » sur le téléphone, puis saisissez le mot de passe ou code PIN = 0000 (4 zéros). Votre téléphone confirme que l'appairage est terminé. En cas d'échec d'appairage, répétez les étapes 1 à 3.

5. Portez-le à votre convenance

Le Jabra BT5020 est pré réglé pour être porté sur l'oreille droite. Si vous préférez le porter sur l'oreille gauche, tournez doucement l'oreillette pour l'adapter à l'oreille gauche. Voir ill. 4.

Pour une performance optimale, portez le Jabra BT5020 et votre téléphone portable du même côté ou dans la même ligne de visée. Vous obtiendrez généralement une meilleure performance s'il n'y a aucun obstacle entre le casque et le téléphone.

6. Comment faire pour...

Répondre à un appel

- Pour répondre à un appel, tapez sur la touche Réponse/Fin du casque.

Finir un appel

- Pour finir un appel en cours, tapez sur la touche Réponse/Fin.

Effectuer un appel

- Si vous effectuez un appel à partir de votre téléphone portable, l'appel sera automatiquement transféré au casque (en fonction des paramètres du téléphone). Si votre téléphone ne permet pas cette fonction, tapez sur la touche Réponse/Fin du Jabra BT5020 pour transférer l'appel vers le casque.

Refuser un appel

- Pour refuser un appel entrant, appuyez sur la touche Réponse/Fin quand le téléphone sonne. Selon les paramètres de votre téléphone, le correspondant sera transféré sur votre messagerie vocale ou recevra la tonalité « occupé ».

Activer la numérotation vocale*

- Appuyez sur la touche Réponse/Fin. Vous obtiendrez de meilleurs résultats si vous enregistrez l'identité de numérotation vocale via votre casque. Veuillez consulter le mode d'emploi de votre téléphone pour davantage d'informations sur cette fonction.

Rappeler le dernier numéro*

- Double-tapez sur la touche Réponse/Fin. Le casque doit être allumé mais pas en cours d'appel.

Régler le son et le volume

- Appuyez sur la touche de volume haut ou bas pour régler le volume sonore.

Mettre un appel en cours en sourdine

- Pour mettre un appel en cours en sourdine, appuyez sur les deux touches volume, bas et haut, en même temps. Un bip d'alerte faible est émis pendant que le son est coupé.
- Pour désactiver la sourdine, tapez sur l'une des touches volume.

Utiliser la fonction de double appel/mise en attente

Cette fonction vous permet de mettre un appel en attente pendant que vous répondez à un autre appel.

- Pour mettre l'appel en cours en attente et répondre à l'appel entrant, appuyez une fois sur la touche Réponse/Fin.
- Pour passer d'un appel à l'autre, appuyez sur la touche Réponse/Fin.
- Pour finir l'appel en cours, tapez sur la touche Réponse/Fin.

* Les fonctions marquées par * dépendent des fonctions supportées par votre téléphone. Pour plus d'informations, consultez le mode d'emploi de votre téléphone.

7. Indicateur de niveau de batterie

Quand le Jabra BT5020 est allumé ou une touche est maintenue enfoncée plus d'une minute après la dernière pression d'une touche, le voyant indique le niveau de charge de la batterie.

- 2 clignotements verts = chargé à 20% - 100%
- 2 clignotements jaunes = chargé à 10-20%
- 2 clignotements rouges = chargé à moins de 10%

8. Explication des voyants lumineux

Ce que vous voyez ...	correspond sur le casque à
2 clignotements colorés	Voir Indicateur de niveau de batterie (section 7)
Clignotements bleus et verts	Appel entrant
Clignotements bleus	Clignotement toutes les secondes appel en cours
Clignotements bleus	Clignotement toutes les trois secondes : mode veille (seulement pendant 1 minute puis arrêt)
Voyant vert allumé en continu	Batterie entièrement chargée
Voyant rouge allumé en continu	Chargement en cours
Voyant bleu allumé en continu	En mode d'appairage – voir section 4

US 9. Utilisation du Jabra BT5020 avec 2 téléphones portables

ES Il est possible d'avoir deux téléphones portables connectés au casque en même temps. Cela vous donne la liberté d'utiliser aussi bien vos téléphones portables que les fonctions du casque décrites en section 6, en manipulant seulement le casque.

FR Veuillez cependant noter que la fonction Rappel du dernier numéro concernera le numéro du dernier appel sortant, indépendamment des téléphones portables, et que la Numérotation vocale ne fonctionne que sur le téléphone qui a été appairé en dernier.

10. Utilisation avec un boîtier de connexion Bluetooth Jabra

Le Jabra BT5020 peut être utilisé avec le boîtier de connexion Bluetooth Jabra (vendu séparément). Celui-ci vous permet d'utiliser le casque aussi bien avec vos téléphones portables qu'avec votre téléphone fixe.

Pour appairer le Jabra BT5020 avec le boîtier de connexion Bluetooth Jabra

La procédure d'appairage est un peu différente :

- Mettez le Jabra BT5020 en mode d'appairage.
- Mettez le boîtier de connexion Bluetooth Jabra en mode d'appairage.
- Placez-les à proximité l'un de l'autre. Pas besoin de code PIN dédié pour appairer les deux produits Jabra. Consultez le mode d'emploi du boîtier de connexion Bluetooth Jabra pour savoir comment relier le boîtier de connexion à votre téléphone fixe.

L'utilisation du Jabra BT5020 avec le boîtier de connexion Bluetooth Jabra est très semblable à l'utilisation du casque avec seulement un téléphone portable. La seule différence réside dans le transfert des appels vers le casque depuis le téléphone fixe.

Transférer un appel vers le casque

- Tapez sur la touche Réponse/Fin pour transférer l'appel du téléphone fixe vers le casque via le boîtier de connexion Bluetooth Jabra.

Pour répondre à un appel provenant du téléphone fixe, un décroqueur combiné est nécessaire pour permettre au Jabra BT5020 de répondre automatiquement à l'appel.

11. Utilisation avec un adaptateur Bluetooth Jabra

Pour utiliser le Jabra BT5020 avec un téléphone portable non Bluetooth, il vous suffit d'utiliser l'adaptateur Jabra A210.

Il permet une connexion sans fil avec les caractéristiques suivantes pour le casque: Réponse/Fin, numérotation vocale (si le téléphone le supporte) et mode secret. Il se peut que les fonctions de refus d'appel, appel du dernier numéro et mise en attente d'appel ne soient pas supportées via la prise casque du téléphone portable.

Pour appairer le Jabra BT5020 avec le Jabra A210

La procédure d'appairage est un peu différente :

- Mettez le Jabra BT5020 en mode d'appairage.
- Mettez l'adaptateur Jabra A210 en mode d'appairage.
- Placez-les à proximité l'un de l'autre. Pas besoin de code PIN dédié pour appairer les deux produits Jabra. Pour plus d'informations, voir le mode d'emploi de l'adaptateur Jabra A210.

Effectuer/recevoir un appel avec le Jabra A210

- Si vous effectuez un appel à partir de votre téléphone portable, l'appel sera automatiquement transféré au casque (s'il est en marche).
- Pour répondre à un appel : tapez sur la touche Réponse/Fin de votre casque, dépliez le bras coulissant ou appuyez sur la touche Réponse de votre téléphone portable.

12. Diagnostic des pannes et questions fréquentes

J'entends des crépitements

- Pour obtenir la meilleure qualité sonore, portez toujours le casque du même côté que votre téléphone portable.

Je n'entends rien dans mon casque

- Augmentez le volume de votre casque.
- Assurez-vous qu'il a été correctement appairé avec le téléphone.
- Vérifiez que le téléphone est bien connecté au casque. S'il ne se connecte pas soit à partir du menu Bluetooth du téléphone soit en tapant sur sa touche Réponse/Fin, répétez la procédure d'appairage (voir section 4).

J'ai des problèmes d'appairage, bien que mon téléphone indique le contraire

- Vous avez peut-être supprimé la connexion d'appairage dans votre téléphone portable. Suivez les instructions d'appairage de la section 4.

Le Jabra BT5020 peut-il fonctionner avec d'autres périphériques Bluetooth ?

- Le Jabra BT5020 est conçu pour fonctionner avec des téléphones portables Bluetooth. Il peut également fonctionner avec tout autre appareil Bluetooth compatible avec les versions Bluetooth 1.1, 1.2 ou 2.0 et prenant en charge les profils de casque et/ou mains libres.

13. Besoin d'aide supplémentaire ?

1. Site Web : www.jabra.com
(pour obtenir en ligne les renseignements complémentaires et les manuels d'utilisateur les plus récents)
2. Courriel : [Soutien technique:techsupp@jabra.com](mailto:Soutien.technique:techsupp@jabra.com)
Informations : info@jabra.com
3. Téléphone : 1 800 327-2230 (sans frais aux É.-U.)
603 579-5311 (Canada)

14. Entretien de votre casque

- Rangez toujours le Jabra BT5020 éteint et bien protégé.
- Évitez de l'exposer à des températures extrêmes (supérieures à 45°C – y compris au soleil direct – ou inférieures à 10°C). Cela risque de réduire la durée de vie de la batterie et d'entraîner des dysfonctionnements. Des températures élevées peuvent également amoindrir les performances.
- N'exposez pas le Jabra BT5020 à la pluie ou à d'autres liquides.

15. Homologation et approbations de sécurité

Commission fédérale des communications

Ce produit répond aux exigences de la partie 15 des règlements de la Commission fédérale des communications. Son fonctionnement doit satisfaire aux deux conditions suivantes : (1) Ce produit ne doit pas causer de brouillage préjudiciable et (2) ce produit doit accepter toute interférence reçue, y compris celles qui peuvent provoquer un fonctionnement indésirable.

Les utilisateurs ne sont pas autorisés à apporter des changements ou des modifications à ce produit de quelque façon que ce soit. Les changements ou les modifications qui n'ont pas été expressément approuvés par Jabra (GN Netcom) peuvent retirer à l'utilisateur le droit de faire fonctionner ce produit. Ce produit a été testé et respecte les limitations concernant les dispositifs numériques de classe B, conformément à la partie 15 des règlements de la Commission fédérale des communications. Ces limitations sont établies en vue d'offrir une protection raisonnable contre le brouillage préjudiciable en zone d'habitation. Ce produit génère, utilise et peut dégager une énergie radiofréquence et causer, en cas d'installation et d'utilisation non conformes aux instructions, un brouillage préjudiciable aux radiocommunications.

Toutefois, il n'existe aucune garantie que de tels parasites ne se produiraient pas dans une installation particulière. Si cet appareil provoque effectivement

des parasites nuisibles à la réception des radiocommunications ou des programmes de télévision, ce que l'on peut vérifier en l'éteignant et en le rallumant, l'utilisateur est invité à les corriger en adoptant l'une des mesures suivantes:

- réorienter ou déplacer l'antenne de réception;
- éloigner le produit du récepteur affecté par les parasites;
- brancher le produit dans une prise qui se trouve sur un circuit différent de celui du récepteur en question;
- consulter le détaillant ou un technicien en radio et télévision d'expérience pour obtenir de l'aide.

Le produit et son antenne ne doivent pas être co-chargés ou fonctionner conjointement avec une autre antenne ou un autre émetteur.

Industrie Canada

Son fonctionnement doit satisfaire aux deux conditions suivantes: (1) Ce produit ne doit pas causer de brouillage et (2) ce produit doit accepter toute interférence reçue, y compris celles qui peuvent provoquer un fonctionnement indésirable du produit.

La mention « IC: » devant le numéro d'homologation ou d'enregistrement signifie simplement que l'enregistrement a été effectué sur la base d'une déclaration de conformité, laquelle indique que les spécifications techniques d'Industrie Canada ont été respectées. Cette mention ne signifie pas qu'Industrie Canada a approuvé ce produit.

Bluetooth

La marque et les logos Bluetooth® sont la propriété de Bluetooth SIG inc. et toute utilisation de telles marques par Jabra est sous licence. Les autres marques de commerce et dénominations commerciales appartiennent à leurs propriétaires respectifs.

16. Garantie

Informations de service et de garantie

Informations limitées à un (1) an

GN Netcom Inc. (« GN »), garantit la prise en charge de tout défaut matériel et de fabrication sur ce produit (conformément aux termes énoncés ci-dessous), et ce pour une durée d'un (1) an, à compter de la date d'achat (« Période de garantie »). Pendant la Période de garantie, GN s'engage à réparer ou remplacer (à sa discrétion) ce produit ou toute pièce défectueuse (« Service de garantie »). Si une réparation ou un remplacement n'est pas opportun(e) ou possible commercialement, GN peut choisir de vous rembourser le prix d'achat du produit concerné. Selon les conditions de cette garantie, la réparation ou le remplacement ne peut donner lieu à une extension ou une nouvelle date de début de la garantie.

US Réclamations sous garantie

ES Pour obtenir le Service de garantie, veuillez contacter le distributeur GN qui vous a vendu ce produit, ou visitez www.gnnetcom.com ou www.jabra.com pour plus d'informations sur l'assistance clientèle.

PT Vous devez retourner ce produit soit au distributeur soit à GN (si cela est spécifié sur www.gnnetcom.com ou www.jabra.com) dans son emballage d'origine ou un emballage qui assure une protection équivalente.

FR Les frais de retour du produit à GN restent à votre charge. Si le produit est couvert par la garantie, GN s'engage à vous le renvoyer à nos frais après exécution du service garanti. Les frais de renvois vous seront facturés pour des produits non couverts par la garantie ou qui ne remplissent pas les conditions requises pour une réparation.

Vous devez fournir les informations suivantes pour bénéficier du Service de garantie: (a) le produit et (b) une preuve d'achat indiquant clairement le nom et l'adresse du revendeur, la date d'achat et le type de produit, permettant d'établir que le produit est bien couvert par la période de garantie. Veuillez également indiquer (c) votre adresse pour le renvoi du produit, (d) le numéro de téléphone où vous êtes joignable en journée, et (e) la raison du retour du produit.

Dans le cadre des efforts de GN/Jabra pour réduire les déchets et la pollution de l'environnement, nous vous signalons que le produit peut contenir du matériel reconditionné composé d'éléments usagés, dont certains sont recyclés. Les composants réutilisés répondent tous aux normes strictes de qualité de GN/Jabra, et sont conformes aux spécifications de performance et de fiabilité pour les produits GN. Vous acceptez que tous composants et pièces remplacés deviennent la propriété de GN.

Limitation de la garantie

La présente garantie s'applique uniquement à l'acheteur initial et prendra automatiquement fin avant la date d'expiration si le produit est vendu ou autrement cédé à un tiers. La garantie offerte par GN dans le présent document s'applique uniquement aux produits achetés pour un usage personnel et non pour la revente. Elle n'est pas valable pour des produits vendus avec l'emballage ouvert, « tels quels » et sans aucune garantie.

La présente garantie ne couvre pas les consommables exposés à l'usure normale, tels qu'écrans anti-vent, bouchons d'oreille, fiches modulaires, embouts, revêtements décoratifs, batteries et autres accessoires.

La présente garantie est rendue nulle si le numéro de série, l'étiquette du code de date ou l'étiquette produit apposés en usine ont été modifiés ou enlevés.

La présente garantie ne couvre aucun dommage superficiel ou résultant d'abus, d'usage incorrect, de négligence, d'intempéries, d'accidents, du démontage ou de la modification (de toute partie) du produit. La présente garantie ne couvre pas les dommages dus à une mauvaise utilisation, maintenance ou installation, ou à des tentatives de réparation par d'autres personnes que des réparateurs GN ou un distributeur GN qualifié pour la réparation. Toute réparation non autorisée annulera la garantie.

LES RÉPARATIONS OU REMPLACEMENTS SOUS GARANTIE CONSTITUENT L'UNIQUE REMÈDE DU CLIENT. GN N'EST NULLEMENT RESPONSABLE DE TOUT DOMMAGE ACCIDENTEL OU SUBSÉQUENT RÉSULTANT D'UNE RUPTURE DE LA GARANTIE EXPLICITE OU IMPLICITE DU PRODUIT. EXCEPTÉ DANS LA MESURE OÙ CELA EST INTERDIT PAR LA LÉGISLATION EN VIGUEUR, LA PRÉSENTE GARANTIE EST EXCLUSIVE ET REMPLACE TOUTE AUTRE GARANTIE EXPLICITE OU IMPLICITE, Y COMPRIS, MAIS NON LIMITÉ À, TOUTE GARANTIE DE COMMERCIALISATION ET D'ADÉQUATION À UN USAGE SPÉCIFIQUE.

REMARQUE! Cette garantie vous accorde des droits particuliers, mais vous pouvez avoir d'autres droits, variant d'un endroit à un autre. De fait que certaines juridictions n'autorisent pas l'exclusion ou la limitation de responsabilité pour des dommages accessoires ou indirects ou des garanties tacites, l'exclusion susmentionnée peut donc ne pas s'appliquer à votre cas. La présente garantie n'affecte pas vos droits légaux (statutaires) applicables aux termes de la législation nationale ou locale.



Dispose of the product according to local standards and regulations.
www.jabra.com/weee

Jabra BT5020 Micro-casque Bluetooth